

10 Watt ABS Sound Projector

- Ceramic Terminal Block
- 150°C Thermal Fuse
- Weatherproof Sound Projector
- Built-In Ultra Violet Light Protection
- Easy To Install
- Fully compliant with BS5839 part 8

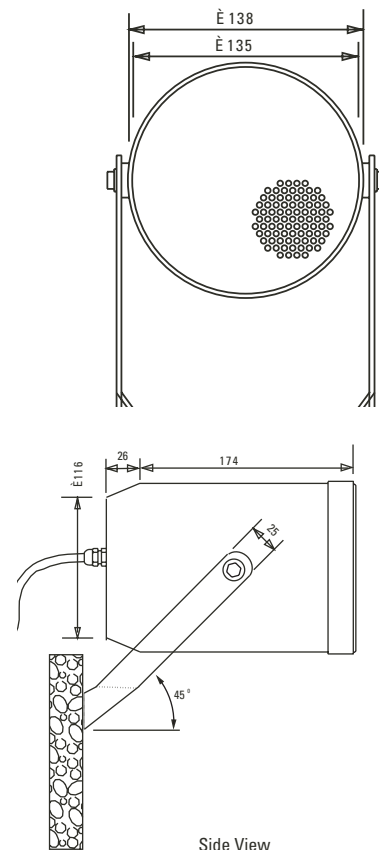


The CAD range of weatherproof sound projectors offers a combination of style and performance that is hard to match. Manufactured from an ABS moulded component with built-in UVL (ultra violet light) protection, complete with a high quality, plastiflex treated cone. Each speaker comes with an aluminium U bracket for ease of installation.

The CAD10/T is rated at 10 watts. This unit is supplied in a stylish and compact enclosure, ideally suited for speech and music reproduction. With the added advantage of being fully weatherproofed, it is ideal for use on railways, car parks, shopping centres, sports grounds etc.

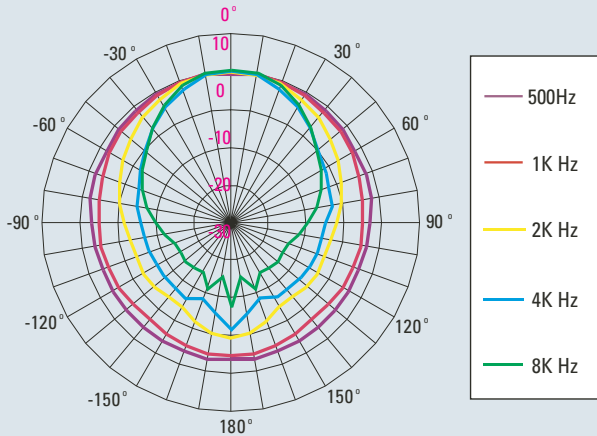
In compliance with BS5839 Part 8, the "C" versions incorporate a ceramic terminal and thermal fuse and are, therefore, suitable for use in voice alarm applications.

Dimensions (mm)



Technical Specification

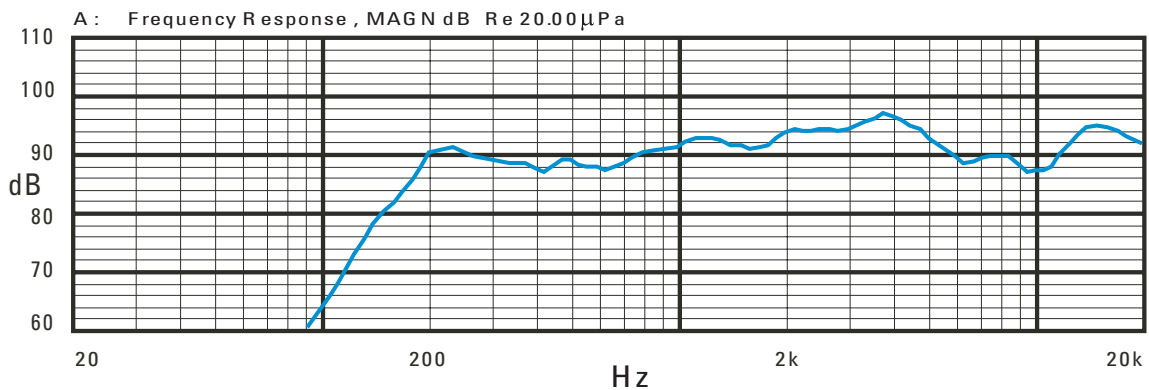
Polar Pattern



Technical Specification:

Power Handling	10 watts
Rated Input	100 volt
Transformer Tappings	10, 5, 2.5, 1.25 watts
SPL (1w/1m)	91dB
Max SPL (rated/1m)	100dB
Frequency Response	120Hz – 18kHz
Dimensions (diameter x depth)	138mm x 204mm
Cutout Size (diameter)	N/A
Material	ABS Plastic
Weight (inc. packaging)	1.55kg
Colour	White
Stock Code	200-063-19-C

Frequency Response



Company Policy is one of continuous improvement, we reserve the right to change specification without prior notice

Protec Fire Detection Plc, Protec House, Churchill Way, Nelson, Lancashire, BB9 6RT