

8" Ceiling Loudspeaker (VA)

- Mild steel fire dome
- 150°C thermal fuse
- Ceramic terminal block
- Fire resistant internal cabling
- Optional DC blocking capacitor
- Fully compliant with BS5839 part 8



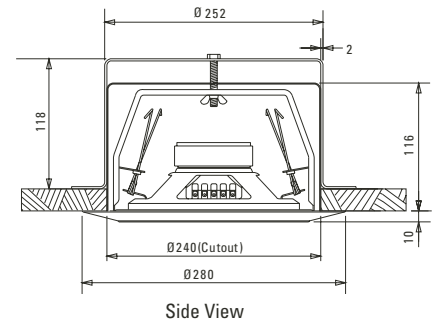
8", flush mount ceiling speaker with innovative fitting system for fast and simple installation.

This loudspeaker has been carefully designed to satisfy the most critical eye. This unit is stylish yet unobtrusive and can be supplied with or without fire domes.

Made from a pressed steel epoxy coated chassis incorporating a twin cone driver, which has a wider frequency range than the standard single cone, this makes this loudspeaker more suitable for use in applications where background music is a primary requirement.

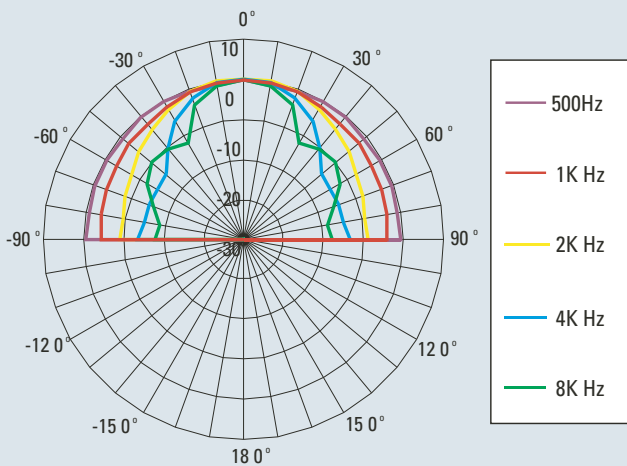
In compliance with BS5839 Part 8 this loudspeaker incorporates a ceramic terminal and thermal fuse and are, therefore, suitable for use in voice alarm applications.

Dimensions (mm)



Technical Specification

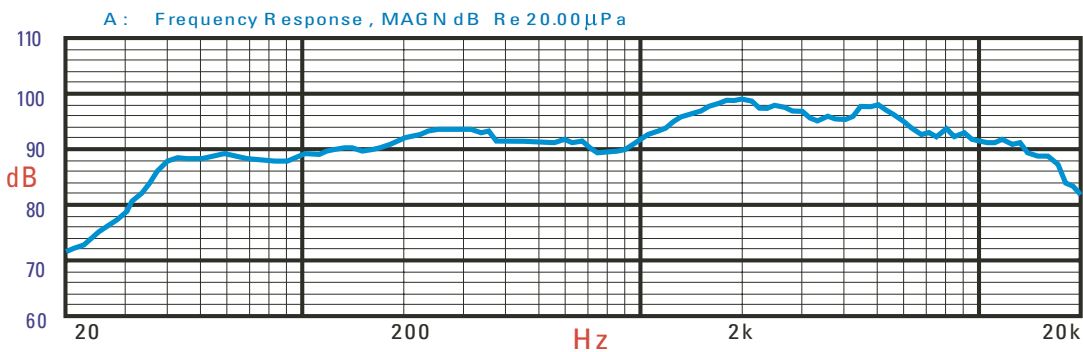
Polar Pattern



Technical Specification:

Power Handling	20 watts
Rated Input	100 volt
Transformer Tappings	20, 10, 5, 2.5 watts
SPL (1w/1m)	94dB
Max SPL (rated/1m)	107dB
Frequency Response	50Hz – 20kHz
Dimensions (diameter x depth)	280mm x 118mm
Cutout Size (diameter)	240mm
Material	Steel
Weight (inc. packaging)	2.93 kg
Colour	White RAL9016
Stock Code	200-064-20-C

Frequency Response



Company Policy is one of continuous improvement, we reserve the right to change specification without prior notice

Protec Fire Detection Plc, Protec House, Churchill Way, Nelson, Lancashire, BB9 6RT