

Cabinet Speaker

- Wide Frequency Response
- High Audio Output (107dB / 1m)
- Ideal for good quality background music applications
- Can be supplied to meet the requirement of BS 5839 Part 8
- Easy to install using invisible bracket

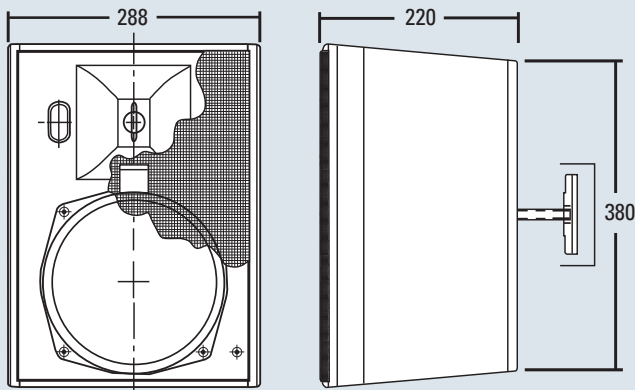


Surface mounted cabinet loudspeaker ideal for applications where a high quality of background music is required. The enclosure and transducers are weather resistant, the speaker comes complete with *Invisiball* wall mounted bracket.

Available in low impedance and 100 volt line versions.

Technical Specification

Dimensions (mm)



Technical Specification:

Power Handling	60watts
Rated Input	100 volt
Transformer Tappings	60, 30, 15 watts
Max SPL (rated/1m)	107dB
Frequency Response	55Hz – 15kHz
Crossover Frequency	2.8kHz
Dimensions (HxWxD)	380mm x 288mm x 220mm
Material	High Impact Polystyrene
Weight (inc. packaging)	6.5kg
Colour	Black or White
Stock Code	200-165-01-W 200-165-01-B
Options	200-165-01-C (For use on Voice Alarm Systems)

Frequency Response

