

## Desktop Paging Microphone

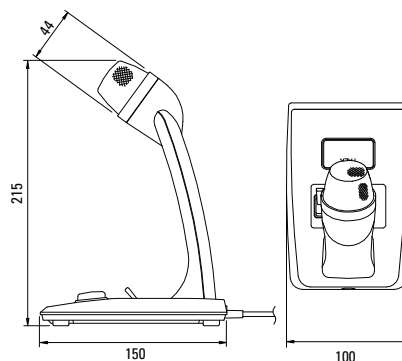
- Desktop Type Dynamic Microphone with Cardioid Polar Pattern
- Short-Off Press to Talk Switch with Open OFF Type Extra Switch Contact
- Low Handling Noise
- Can be Remotly Operated with Additional Components



Designed for paging calls and general announcements, the PM-660D desktop microphone comes with a large talk switch and a lock lever for easy and convenient operation. Its robust anti-vibration construction and balanced output render the microphone resistive to noise.

In addition, the PM-660U microphone is equipped with a remote control switch (interlocked with the talk switch) for amplifier power on/off operation or chime activation.

### Dimensions



### Technical Specification

**Type** - Desktop moving coil microphone

**Polar Pattern** - Cardioid (Unidirectional)

**Rated Impedance** - 600  $\Omega$ , balanced

**Output Level** - -58dB (1kHz, 0dB=1V/Pa) Network Audio Adapter

**Freq Response** - 100 ~ 10,000Hz

**Cable** - 2 core shielded plus 2 core cable

**Cable Length** - 2.5m

**Terminal Cable** - 5 pin DIN plug

**Talk Switch** - Push to talk type (short-off circuit with lock lever)

**Remote Switch** - Leaf spring contact (interlocked with talk switch)

**Dimensions (mm)** - 100W x 215H x 150D

**Weight** - 440g

**Finish Head** - Zinc plated steel wire, baked painting, Grey / Body; ABS resin, Grey. Flexible VENAS System

**Stock Code** - N 47-544-83