

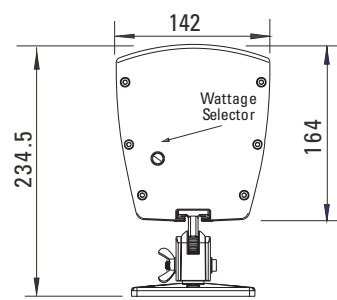
- Robust Column Loudspeaker
- External Variable Tapping Selection
- Impregnated tuned cones
- Complies with BS5839 Part 8



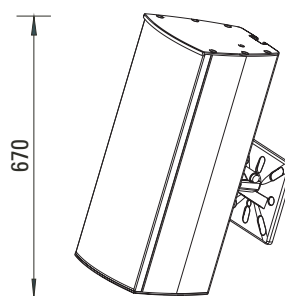
The MUS range of robust column loudspeaker cabinets are manufactured in high grade extruded aluminium with die cast end caps and swivel brackets. The units have been designed with impregnated tuned cones, to give both excellent voice and music reproduction, both indoors and out. Available in a 40 watt version, this unit come complete with external variable tapping selection.

Ideal for use in airports, railway stations, churches, factories, sports and conference centres etc., all models are BS5839 Part 8 compliant for use in voice alarm applications.

Dimensions (mm)



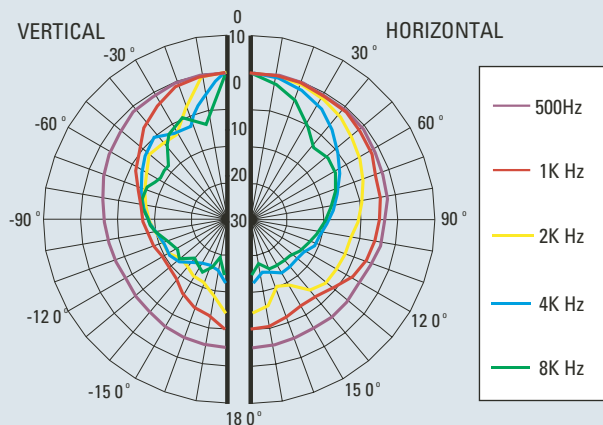
Bottom View



Isogonal View

Technical Specification

Polar Pattern

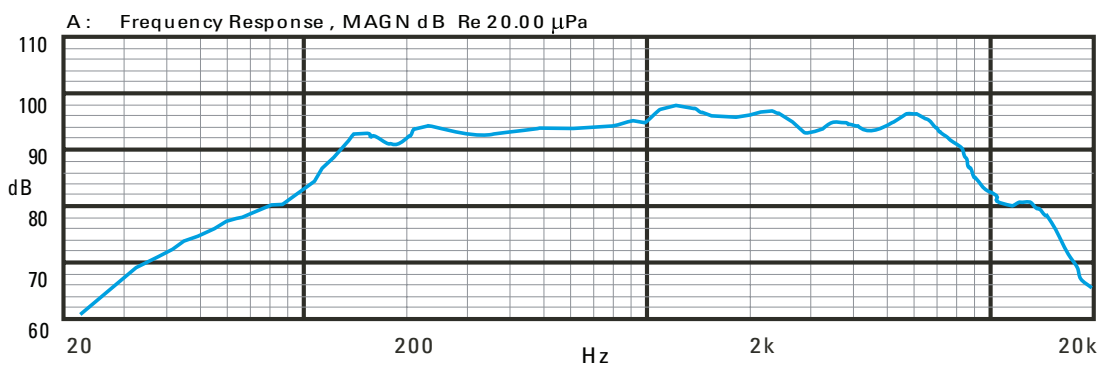


Polar Pattern

Technical Specification:

Power Handling	40 watts
Rated Input	100 volt
Transformer Tappings	40, 20, 10, 5 watts
SPL (1w/1m)	95dB
Max SPL (rated/1m)	112dB
Frequency Response	100Hz – 10kHz
Dimensions	670mm x 142mm x 164mm
Material	Steel Front, Die Cast Rear
Weight (inc. packaging)	8.20 kg
Colour	White RAL9016

Frequency Response



Company Policy is one of continuous improvement, we reserve the right to change specification without prior notice

Protec Fire Detection Plc, Protec House, Churchill Way, Nelson, Lancashire, BB9 6RT