

- Thermal Fuse
- Ceramic Terminal Block
- Option DC Blocking Capacitor
- Produces a Unique Sound Quality
- Weatherproof
- Complies with BS5839 Part 8

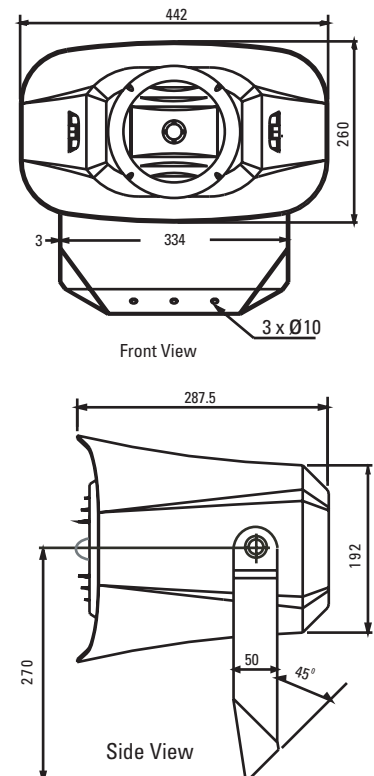


This weatherproof plastic horn loudspeaker combines a re-entrant horn with a high frequency unit and has been developed for clear speech and quality background music reproduction. The MSH range comprises of the MSH 30/TC, rated at 30 watts. This unit has two drive units one for low end frequencies and one for high, producing a unique sound quality.

Supplied complete with cable gland, this unit is ideal for areas where more than speech is required, such as indoor and outdoor swimming pools, sports stadiums, leisure centres or even railway stations.

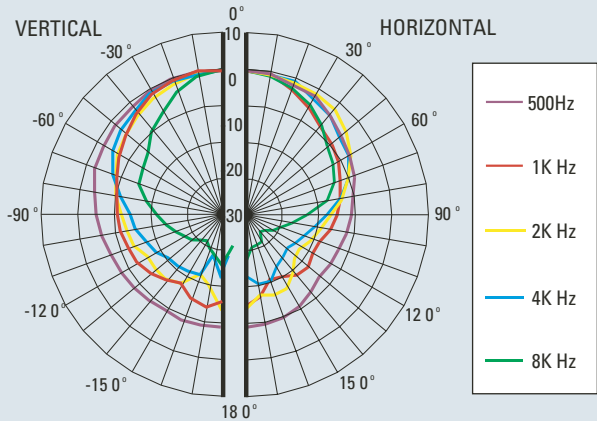
In compliance with BS5839 part 8, the "C" versions incorporate a ceramic terminal and thermal fuse and are, therefore, suitable for use in voice alarm applications.

Dimensions (mm)



Technical Specification

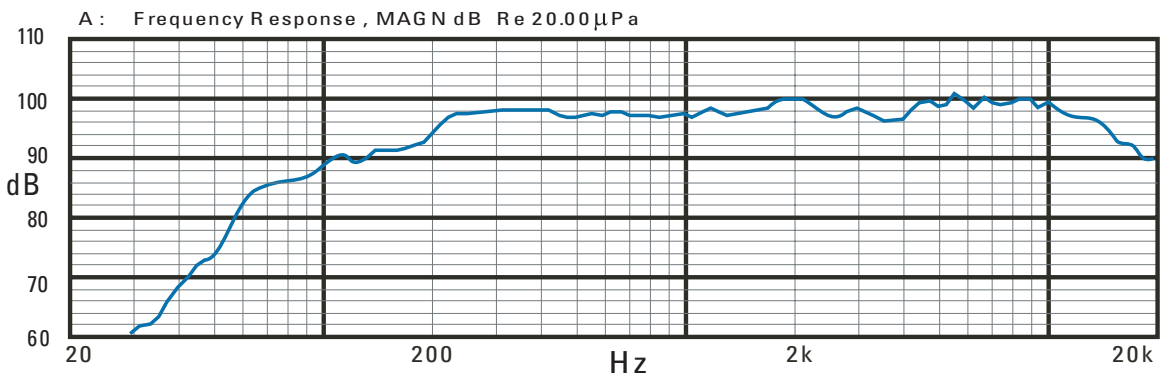
Polar Pattern



Technical Specification:

Power Handling	30 watts
Rated Input	100 volt
Transformer Tappings	30, 15, 7.5, 3.75 watts
SPL (1w/1m)	99dB
Max SPL (rated/1m)	114dB
Frequency Response	70Hz – 16.5kHz
Dimensions	442mm x 260mm x 287.5mm
Material	ABS Plastic with UV inhibitors
Weight (inc. packaging)	5.5 kg
Colour	Grey RAL 7035
IP Rating	66
Stock Code	200-399-01

Frequency Response



Company Policy is one of continuous improvement, we reserve the right to change specification without prior notice

Protec Fire Detection Plc, Protec House, Churchill Way, Nelson, Lancashire, BB9 6RT