

3000 Base Options

- Interchangeable with 3000 Range sensors
- Low Current
- Adjustable Volume Control
- Combined Sounder and Beacon
- 4 Selectable Tones



3000/BASE



3000/SB



3000/SBEA



3000/RB

3000/BASE

The 3000 series standard slim common mounting base is compatible with the complete range of detectors allowing detectors to be easily interchanged.

The base incorporates a continuity diode to allow monitoring of detector removal whilst maintaining circuit integrity to comply with BS5839 pt1 2002. A security screw in the detector head locks into the base to prevent unauthorised removal of detectors.

3000/SB

The 3000/SB is a highly styled discreet electronic sounder incorporated within the detector base. Due to its normal mounting position the 85dB(A) @ 1m output of the sounder base provides exceptional performance characteristics. The sounder has 4 selectable tones; continuous, warble, sweep and pip, powered from a local sounder circuit. The unit operates at 24v DC consuming 7.5mA.

3000/SBEA

This unique Protec design of combining a sounder and beacon into a detector base considerably improves the aesthetics in

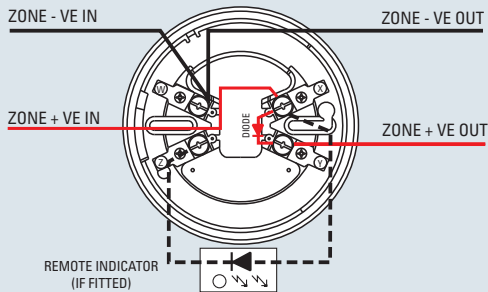
areas which would have previously required three separate products. Consequently the 3000/SBEA can reduce installation costs. Unrivalled technology combines the outstanding performance of the discreet electronic sounder with the high intensity flashing beacon array, viewable in all directions around the detector base. The sounder and beacon operate in tandem, powered from a local sounder circuit. The sounder has 4 selectable tones; continuous, warble, sweep and pip. Sounder output 85dB(A) @ 1m, Flash Rate 0.25 sec on, 1.5 sec off. The combined unit operates at 24v DC consuming 20mA average.

3000/RB

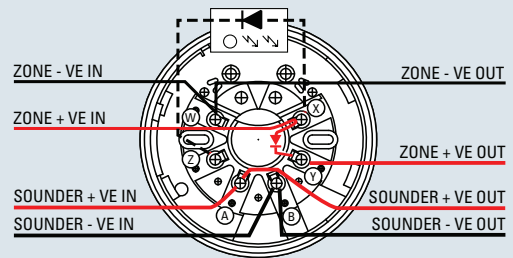
Combined within the standard detector base housing, the relay base is available in either normally open or normally closed configuration. The relay contacts change the state when the detector plugged into that base detects a fire condition. Contacts Rated at 1A @ 30v AC/DC.

3000 Base Options

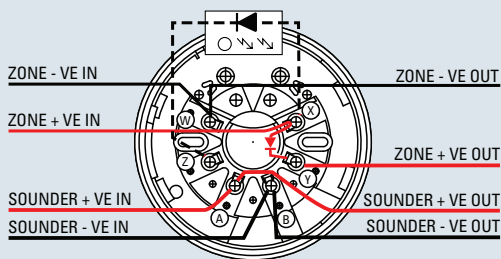
Typical Wiring using 3000/BASE



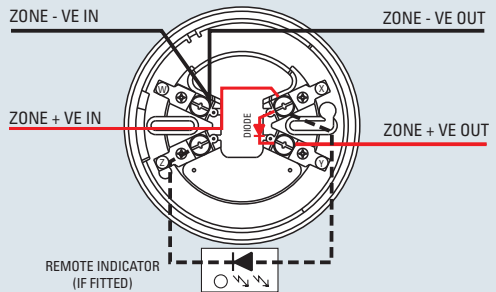
Typical Wiring using 3000/SB



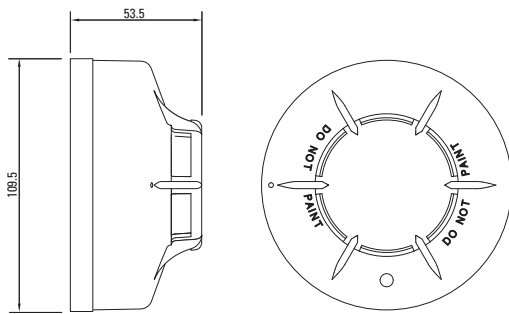
Typical Wiring using 3000/SBEA



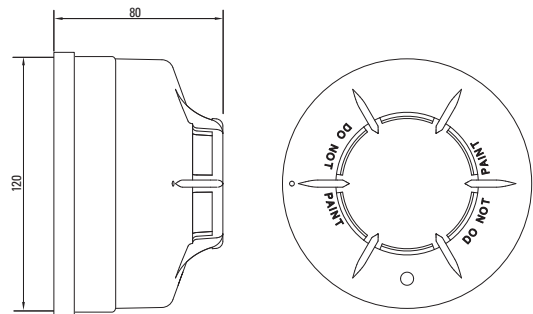
Typical Wiring using 3000/RB



Dimensions 3000/BASE & 3000/RB



Dimensions 3000/SB & 3000/SBEA



Product	Additional 24 dc Sounder Circuit mA	Relay Contact Rating 1A @ 30V AC/DC	Weight	Volume dB(A)
3000/BASE	-	-	63g	N/A
3000/SB	7.5 (Constant Tone)	-	156g	85
3000/SBEA	20 (Constant Tone)	-	167g	85
3000/RBNO	-	Normally Open	69g	N/A
3000/RBNC	-	Normally Closed	69g	N/A

Company Policy is one of continuous improvement, we reserve the right to change specification without prior notice

Protec Fire Detection Plc, Protec House, Churchill Way, Nelson, Lancashire, BB9 6RT

Tel: 01282 717171 Fax: 01282 717273 Web: www.protec.co.uk Email: sales@protec.co.uk