

- Ideal for Detection of Clean Burning Fires
- Discrete Anti-Tamper Security Screw
- Latching 'Fire' LED
- Interchangeable with other 3000 Heads
- Range of Base Options
- High Resistance to False Alarms
- LPCB Approved to EN54 Part 7 : 2000



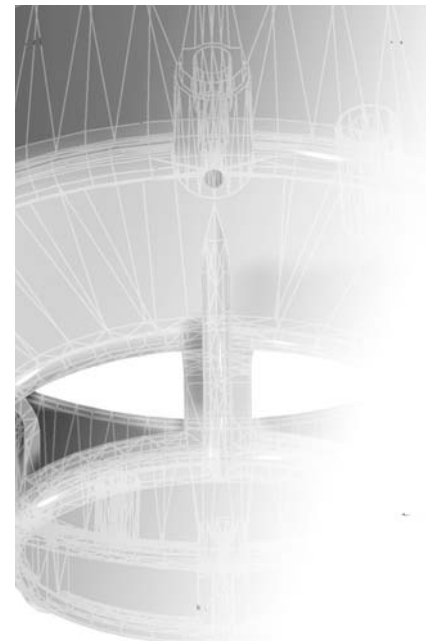
The Protec 3000 series of fire detectors, form a range of elegantly designed, aesthetic, low profile detectors which blend unobtrusively into modern working environments. All detectors incorporate a discreet anti tamper security screw and latching 'FIRE' LED indicator with the facility to activate a remote indicator unit. All detectors are interchangeable with a variety of base options which include relay bases, high efficiency sounder bases and sounder beacon bases.

3000/ION - Ionisation Smoke Detector

The low profile conventional ionisation smoke detector utilises the dual chamber, single source principle to provide optimum response to smoke.

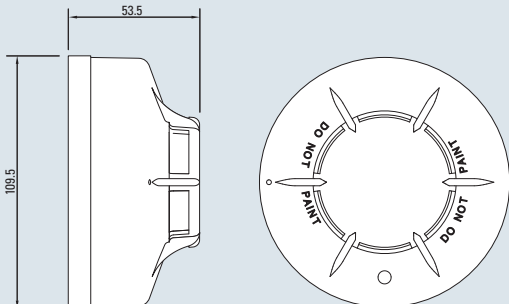
The chamber design inhibits false alarms by providing strong immunity to high air velocities, contamination and RF interference.

Particularly responsive to clean burning fires, the 3000/ION is suitable for high risk areas, solvent stores, rapid fire growth areas & computer rooms.

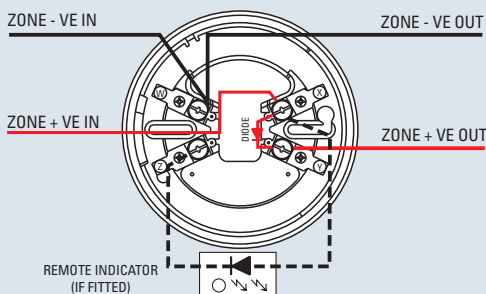


3000/ION Technical Specification

Dimensions



Typical Wiring using 3000/BASE



Technical Specification:

Environment	-10°C to 50°C
Humidity	Up to 95% non-condensing
Airflow	5 m/s continuous
Ingress Protection	IP41
Applicable Standard	EN54 Part 7 : 2000
Approvals	Approved by L.P.C.B. Cert No 201f/01
Weight (excluding base)	119g
Operating Voltage	16V - 30V DC
Quiescent Current	50µA
Alarm Current	Determined by control panel 50mA Max

BASE Options:

3000/BASE

Low profile common mounting base

3000/SB

24V DC Electronic sounder base

3000/SBEA

24V DC Electronic sounder beacon base

3000/RBNO or 3000/RBNC

Normally open or normally closed relay base



Company Policy is one of continuous improvement, we reserve the right to change specification without prior notice

Protec Fire Detection Plc, Protec House, Churchill Way, Nelson, Lancashire, BB9 6RT

Tel: 01282 717171 Fax: 01282 717273 Web: www.protec.co.uk Email: sales@protec.co.uk