

# Cirrus Pro 200+

## KEY FEATURES

- Unique Cloud Chamber Detection Principle
- In excess of 200 mtrs Sampling Pipe (subject to pipe calculation program)
- Programmable 'Pre-Alarm' warning condition
- 3 Programmable 'Fire' warning conditions
- Local Buzzer
- Silence and Reset Buttons
- Vast Sensitivity Range (incipient to conflagrating)
- Fixed or Variable sensitivity options
- 3 Programmable time zones per day
- Latching / non latching alarm contacts
- Alarm Delay setting - if required
- Airflow Monitoring
- 'Fault Diagnostic' feature
- Detector text available
- Sampling pipe text available
- Immune to dust, humidity & temperature changes



## CLOUD CHAMBER FIRE DETECTOR

The 'sensitivity range' is the key feature that makes the Cirrus Pro Series Fire Detector the worlds most versatile fire detection device.

For over 20 years Cloud Chamber detectors have been known as the most sensitive fire detection device, able to detect at the true incipient stage of a developing fire.

The New Cirrus Pro Series Detectors have a vast sensitivity range capable of being even more sensitive than previous versions. In addition the detector may now be configured to be installed in heavily contaminated environments, such as polluted production and warehousing facilities.

## ALMOST UNLIMITED APPLICATIONS

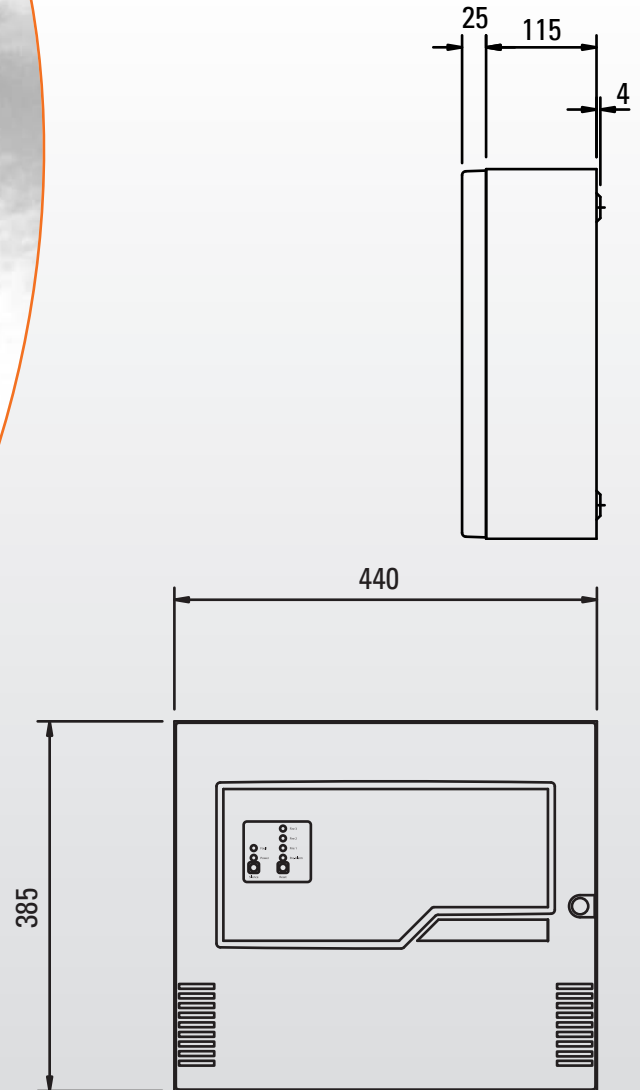
- **High Sensitivity Applications include:-** Computer Rooms, Clean Rooms, Control Rooms, Data Centres, Valve Halls, Archive Storage, Anechoic Chambers, EDP areas.
- **General Sensitivity Applications include:-** Historic Buildings, Museums, Hospitals, Cathedrals, Theatres, Art Galleries, Clean Warehouses, Atria, Indoor Stadiums.
- **Harsh Environment Applications include:-** Cold Storage Facilities, Specialist Production Facilities, Food Industry Facilities, Paper Production Facilities, Transportation Terminals, Flight Simulators, Aircraft Hangers, Prisons, Inaccessible Voids, Dirty Warehouses.



**CIRRUS PRO**  
ASPIRATING FIRE DETECTORS

Cirrus Pro Series Aspirating Fire Detectors, Worldwide Manufacturer - Protec Fire Detection (Export) Ltd, Churchill Way, Nelson, Lancs, BB9 6RT, ENGLAND

**THE WORLDS MOST VERSATILE FIRE DETECTION DEVICE**



## DETECTOR SPECIFICATION

### **Supply Voltage:**

20 - 29VDC

### **Power Consumption:**

11 watts quiescent

### **Current Consumption:**

450mA quiescent 612A alarm

### **Dimensions:**

Width: 440mm, Height: 385mm, Depth: 144mm

### **Weight:**

9kg (19.8lbs)

### **Operating Conditions:**

Detector Ambient: 0°C to 38°C (32°F to 100°F)

Tested to: 0°C to 55°C (32°F to 131°F)

Sampled Air: -20°C to 60°C (-4°F to 140°F)

Humidity: 10 - 95%RH, non-condensing

### **IP Rating:** IP30

### **Cable Access:**

20 x 20mm knockouts

4 x 22.5mm knockouts

### **Cable Termination:**

Screw terminal blocks  
(0.2 - 2.5mm<sup>2</sup>, 30 - 12AWG)

### **Sampling Network:**

Four inlet ports. Maximum combined sampling pipe length verified by pipe calculation program. Maximum Transport Time allowed up to 120 seconds.

### **Pipe ID:**

19 to 25mm (preferred OD 25mm)

### **Alarm Indications:**

Pre-alarm, Fire 1, Fire 2, Fire 3.

### **Other Indications:**

Supply Healthy, General Fault.

### **Sensitivity Range:**

20,000 particles per cc to 3 million particles per cc 10 programmable sensitivity ranges.

### **Programmable Inputs:**

4 monitored inputs that may be configured for Isolate, Reset, Disable, Fault, Gain Set, Battery Fault and Mains Fault.

### **Programmable Output Relays:**

5 Relays rated 1A @ 30VDC  
(Volt-free change over contacts)

### **Event Log:**

128 events stored on FIFO basis

### **Data Retention:**

Approx 10 day historical graph.

### **Variable Sensitivity Settings:**

7 day programmable settings with 3 time zones per day.

### **Airflow Monitoring:**

'High Airflow' and 'Low Airflow' fault monitoring.