

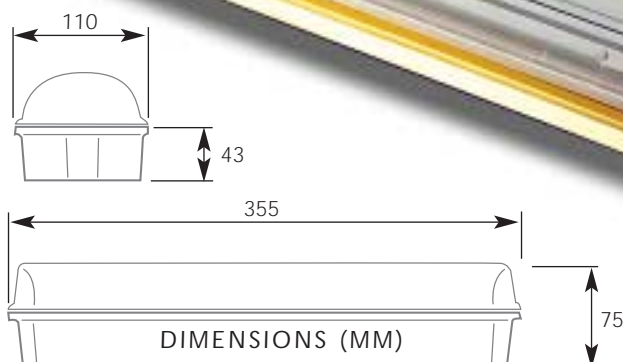


INVESTOR IN PEOPLE
MANUFACTURING
ACCOUNTS • R & D

Protec

Protec Fire Detection plc

DARWEN LUMINAIRE



- Surface or semi-recessed mountable.
- Internal and weatherproof external models available.
 - Pro-linear lens optimises light distribution.
 - Cable entry on each end with BESA in rear and cable channel for through wiring.
 - End entry clips to accept mini trunking and improve aesthetics.
- Available in maintained, non-maintained, central battery and mains only versions.
- Compatible with Protec AL255 Automatic Addressable Testing system.
 - Available as Protec 'Self Test' emergency lighting luminaire.
 - Manufactured to EN60598:2.22.
 - Optional semi-recessed mounting bezel and fixing kit.
 - Clip on diffuser and gear tray for easy installation.
 - Screw fixed diffuser for added security.
 - Self adhesive exit legend available.

SELF CONTAINED LUMINAIRES					
Stock Code	Sales Order Code	Mode	Emergency Lamp Output	Normal Lamp Output	Weight Kg.
DARWEN GENERAL 'DG'					
69-030-20	DG/NM3	NM	100 Lumen	N/A	1.10Kg
69-032-22	DG/M3	M	100 Lumen	400 Lumen	1.50Kg
DARWEN WEATHERPROOF 'DW' (IP65)					
69-040-30	DW/NM3	NM	100 Lumen	N/A	1.10Kg
69-042-32	DW/M3	M	100 Lumen	400 Lumen	1.50Kg
Mode NM = Non Maintained M = Maintained					
Input Voltage 230v +/- 10% 50 Hz					
Input Current 25mA - Non Maintained, 175mA - Maintained					
Emergency Duration 3 Hours					
Environment 0°C to 25°C					
Lamp Type 8 Watt					

CENTRAL BATTERY LUMINAIRES					
Stock Code	Sales Order Code	Emergency Lamp Output	Central Battery AC(VA)	Power Input DC (WATTS)	Weight Kg
DARWEN GENERAL 'DG'					
69-034-24	DG/24	320 Lumen	10.5	10.5	1.0Kg
69-036-26	DG/50	360 Lumen	11.5	11.5	1.0Kg
69-038-28	DG/110	360 Lumen	10	10	1.0Kg
DARWEN WEATHERPROOF 'DW' (IP65)					
69-044-34	DW/24	320 Lumen	10.5	10.5	1.0Kg
69-046-36	DW/50	360 Lumen	11.5	11.5	1.0Kg
69-048-38	DW/110	360 Lumen	10	10	1.0Kg

MAINS ONLY LUMINAIRES					
Stock Code	Sales Order Code	Normal Lamp Output	Input Watts Without PFC	Input Watts With PFC	Weight Kg
DARWEN GENERAL 'DG'					
69-039-29	DG/240	400 Lumen	38	15	1.1Kg
DARWEN WEATHERPROOF 'DW' (IP65)					
69-045-35	DW/240	400 Lumen	38	15	1.1Kg
Input Voltage 220/240v 50HZ. Suffix /PFC for power factor correction to 0.85					
69-064-64 DG/DW/BEZ/W White Bezel Kit					
69-066-66 DG/DW/BEZ/BP Brass Bezel Kit					

The Darwen 'DG' luminaire is suitable for internal emergency applications, including defined escape routes. The Darwen 'DW' luminaire has an IP65 rating making it suitable for both internal and external use with the added benefit of a screw fixing diffuser for added security.

Both models can be semi-recessed with an optional bezel kit available in white or brass finish (as illustrated). The bezel kit includes fixing brackets for quick and easy installation in suspended ceilings.

The Protec Pro-linear lens system optimises light distribution to maximise luminaire spacing and reduce installation costs.

NOTES:
Prefix AD/ for addressable emergency lighting interface for use with Protec AL255 Automatic testing system

Prefix ST/ for Self Test luminaire

Exit Legend: The Protec self adhesive European format Exit Legend can be fitted to this luminaire. Protec Ref: Self/Euro



Head Office:
Protec House,
Churchill Way, Nelson,
Lancashire BB9 6RT
Tel: (01282) 717171
Fax: (01282) 717273

South East Office:
Crayfield House, Crayfield
Industrial Park, Main Road,
Orpington, Kent BR5 3HP
Tel: (01689) 894700
Fax: (01689) 894701

Leeds Office:
Copley Hill Trading Estate,
Whitehall Road, Leeds
LS12 1HF
Tel: (0113) 220 4400
Fax: (0113) 220 4401

Midlands Office:
Albrighton House, 135
Allport Street, Cannock,
Staffordshire WS11 1JZ
Tel: (01543) 468646
Fax: (01543) 468647

Scotland Office:
The Glass Cube, Wyman
Gordon Complex, Houston
Road, Livingston EH54 5BZ
Tel: (01506) 498167
Fax: (01506) 498168

Company policy is one of continuous improvement, we reserve the right to change specifications without prior notice.

ADDRESSING SAFETY SYSTEMS WITH INTELLIGENCE

DARWEN LUMINAIRE

