





BS EN54-17:2005  
BS EN54-18:2005  
KM589455

# Technical Specification

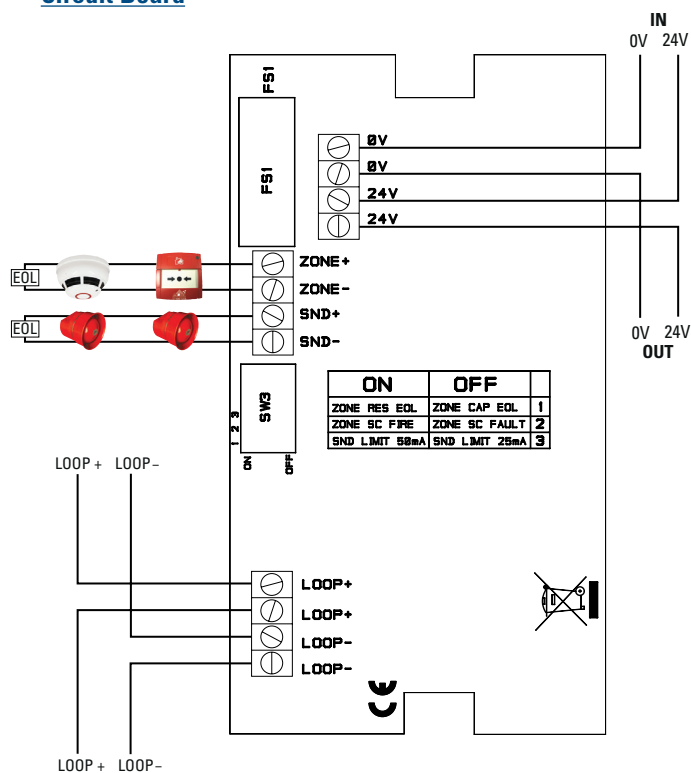
<b>Device Protocol</b>	Protec Algo-tec™ 6000
<b>Loop Isolator</b>	Yes
<b>Loop Voltage</b>	18 to 28V peak loop
<b>Number of Addresses</b>	1
<b>24V Auxiliary Voltage</b>	18 to 28V dc
<b>Environmental</b>	-10 to 50°C (maximum 95% RH no condensation or icing)
<b>Loop Quiescent Current</b>	0.6mA
<b>Loop Alarm Current</b>	0.6mA
<b>Auxiliary 24V Current</b>	0.6mA Quiescent + detector load ( 13mA max ) + resistive end of line load ( 3mA ) 7.5mA Alarm, plus zone circuit current and sounder circuit current
<b>Zone Circuit EOL<sup>2</sup></b>	Resistive - 8.2kΩ ±5% ¼W Capacitive - 100µF ±20% in series with 22Ω ±5% ¼W
<b>Manual Call Point</b>	Must be fitted with a 330Ω or 180Ω series resistor
<b>Detectors Supported</b>	Protec 3000 and 3000PLUS

<b>Sounders Supported</b>	Protec 3000 series
<b>Sounder Circuit EOL<sup>2</sup></b>	10kΩ ±5% ¼W
<b>Sounder Circuit Current</b>	1A
<b>Weight</b>	120g
<b>Indications</b>	On-board red indicating LED showing when the device is polled, or in the alarm state
<b>Product Approval</b>	BSI Kitemark No: KM589455 CoCP No: 0086-CPR-589456 DoP No: PFD-CPR-0059 Relevant Standard: EN54-17 & 18

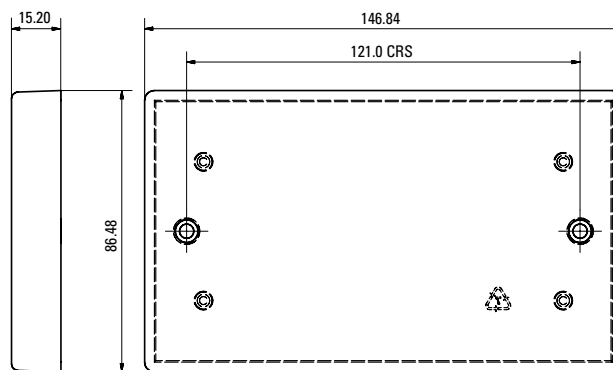
**Notes**

- 1) For more technical information consult DEL2077
- 2) EOL = End of Line

**Circuit Board**



**Dimensions (mm)**



Backbox Requirements - Surface or flush double gang pattress box minimum of 25mm deep.



Company Policy is one of continuous improvement, we reserve the right to change specification without prior notice

**Protec House, Churchill Way, Nelson, Lancashire, BB9 6RT**

© 2022 Protec Fire and Security Group Ltd.

**Tel: +44(0)1282 717171 Web: www.protec.co.uk Email: sales@protec.co.uk**