

## 6000/APZA Auxiliary Powered Zone Alarm Interface

- Easy to Use
- Reduce Installation Cost
- Simple Expansion Using Existing Wiring
- FAST™ Addressing
- Integral Short Circuit Isolator
- Auxiliary 24V dc Powered
- Protec Conventional Detector and Call Point Zone
- Built in Sounder Circuit Monitored for Open / Short Circuit Faults



The Protec 6000/APZA is a zone alarm interface which allows the 6000 series intelligent addressable loop to interface to a zone of conventional devices and a conventional sounder circuit.

This interface is ideally suited for small conventional fire detection to be fully integrated with Protec Intelligent addressable systems. The 6000/APZA is powered using an external EN54 Part 4 power supply. It can support up to 20 Protec conventional (3000PLUS) detectors. The zone end of line is selectable using the on board DIL switch and can be programmed to resistive or capacitive as per the requirement of BS5939-1. The sounder circuit is monitored for open and short circuit faults and has 1A current drive capability.

The interface has an inbuilt loop short circuit isolator fitted as standard.



BS EN54-17:2005  
BS EN54-18:2005  
KM589455

# Technical Specification

<b>Device Protocol</b>	Protec Algo-tec™ 6000
<b>Loop Isolator</b>	Yes
<b>Loop Voltage</b>	18 to 28V peak loop
<b>Number of Addresses</b>	1
<b>24V Auxiliary Voltage</b>	18 to 28V dc
<b>Environmental</b>	-10 to 50°C (maximum 95% RH no condensation or icing)
<b>Loop Quiescent Current</b>	0.6mA
<b>Loop Alarm Current</b>	0.6mA
<b>Auxiliary 24V Current</b>	0.6mA Quiescent + detector load ( 13mA max ) + resistive end of line load ( 3mA ) 7.5mA Alarm, plus zone circuit current and sounder circuit current
<b>Zone Circuit EOL<sup>2</sup></b>	Resistive - 8.2kΩ ±5% ¼W Capacitive - 100µF ±20% in series with 22Ω ±5% ¼W
<b>Manual Call Point</b>	Must be fitted with a 330Ω or 180Ω series resistor
<b>Detectors Supported</b>	Protec 3000 and 3000PLUS

<b>Sounders Supported</b>	Protec 3000 series
<b>Sounder Circuit EOL<sup>2</sup></b>	10kΩ ±5% ¼W
<b>Sounder Circuit Current</b>	1A
<b>Weight</b>	120g
<b>Indications</b>	On-board red indicating LED showing when the device is polled, or in the alarm state

### Product Approval

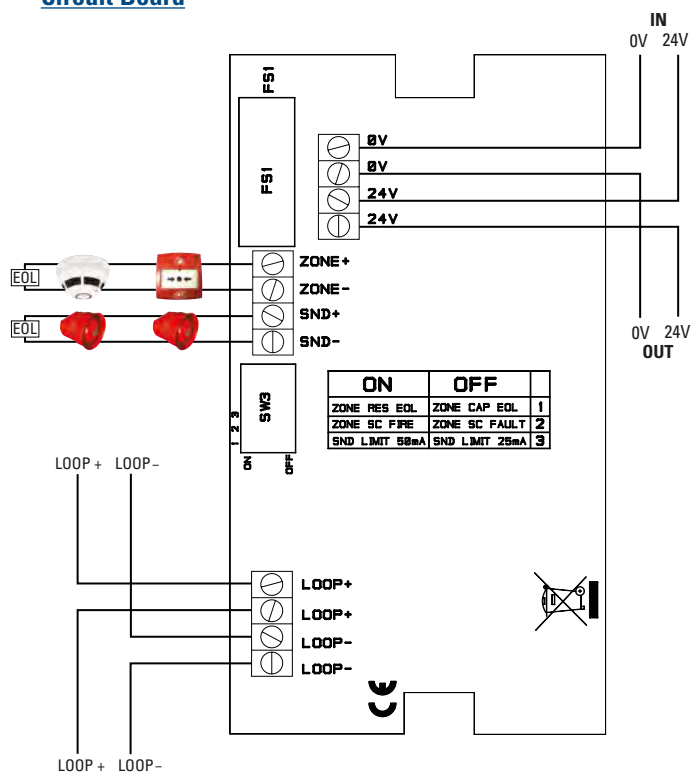


BSI Kitemark No: KM589455  
CoCP No: 0086-CPR-589456  
DoP No: PFD-CPR-0059  
Relevant Standard: EN54-17 & 18

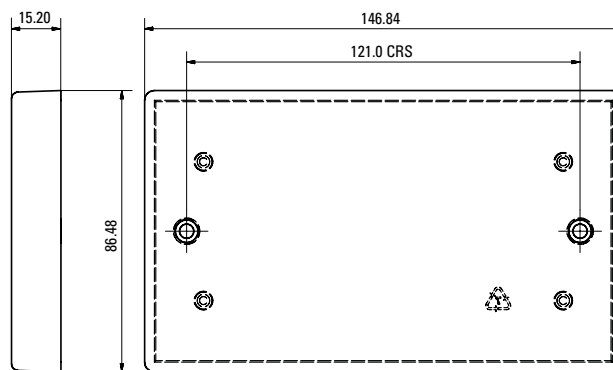
### Notes

- 1) For more technical information consult DEL2077
- 2) EOL = End of Line

### Circuit Board



### Dimensions (mm)



Backbox Requirements - Surface or flush double gang pattress box minimum of 25mm deep.



Company Policy is one of continuous improvement, we reserve the right to change specification without prior notice

Protec Fire Detection Plc, Protec House, Churchill Way, Nelson, Lancashire, BB9 6RT

© 2015 - 2016 Protec Fire Detection plc