

- 6000PLUS/UG4DP for use with Protec Algo-Tec™ 6000 Interactive Digital Addressable Fire Detection Systems
- 3000PLUS/UG4DP for use with Protec Non Addressable Fire Detection Systems
- One-Pipe Air Sampling System
- Patented Venturi Pipe and Duct Housing Test Hole on Cover
- Simple Installation
- Sensitive Flow Indicator
- Filter for Dusty Environments
- Foolproof Installation of Venturi Pipe



3000PLUS/UG4DP
6000PLUS/UG4DP

Ventilation Duct Smoke Detector Assembly

The duct smoke detector provides early detection of smoke and products of combustion present in air moving through an HVAC duct. The assembly requires a 3000PLUS/OP optical smoke detector head, 6000PLUS/OP digital addressable head.

The unit has been specially constructed to allow optimum airflow through the smoke detector's chamber.

A revolutionary 'one pipe system', the Venturi Principle, is achieved by the use of a single pipe with two built-in channels which directs the airflow smoothly through the detector's chamber and returns the air back into the duct. An airflow indicator confirms airflow through the unit itself when the airflow is above 0.75 m/sec.

The 'one pipe system' and in-built connection block for termination of cables makes the unit far easier to install than its competitors. The duct probe is supplied with full fixing instructions and a mounting template.

The air sampling tube is provided in three standard 0.6 metre lengths with 1 metre extension pipes to suit the HVAC duct.

Model Numbers

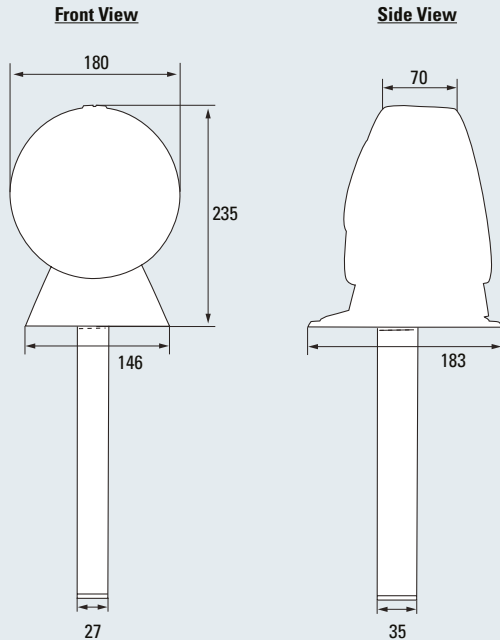
3000PLUS/UG4DP
6000PLUS/UG4DP6

Duct assembly c/w 600mm sampling tube for 150 mm to 600 mm duct diameter

63-040-06 1 Metre UG4 Extension Pipe

Technical Specification

Dimensions (mm)



Technical Specification

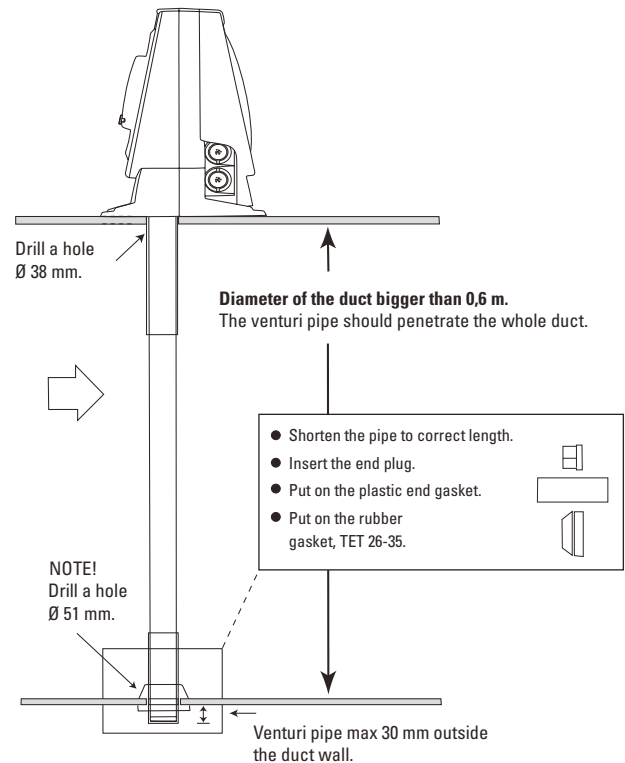
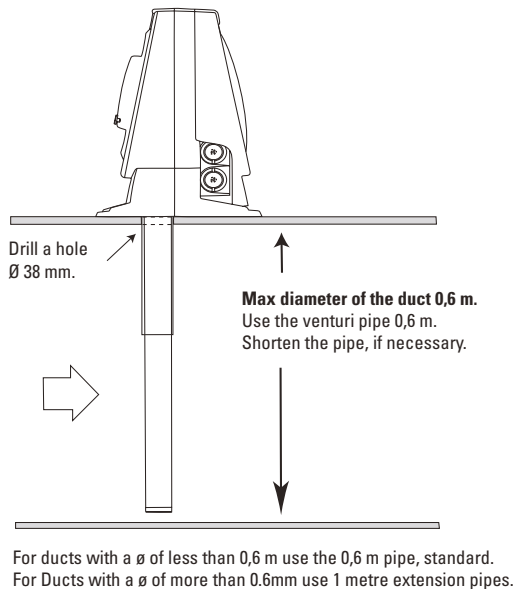
Air Velocity	0.5m/s to 20m/s
Sampling Pipe	Aluminium
Operating Temperature	-10°C to +50°C
Humidity	95% non condensing
Weight	0.8Kg (approx)
Detector Heads	3000PLUS/OP, or 6000PLUS/OP OP = Optical smoke detector. Note: Detector heads sold separately

Optional Mounting Bracket



For mounting of duct smoke detector, on circular or insulated flat ducts.
Stockcode: UG4DP/MB

Installation Details



Company Policy is one of continuous improvement, we reserve the right to change specification without prior notice

Protec House, Churchill Way, Nelson, Lancashire, BB9 6RT

© 2010 - 2024 Protec Fire and Security Group Ltd.

Tel: +44(0)1282 717171 Web: www.protec.co.uk Email: sales@protec.co.uk