

6 Watt Ceiling Loudspeaker - EN54-24

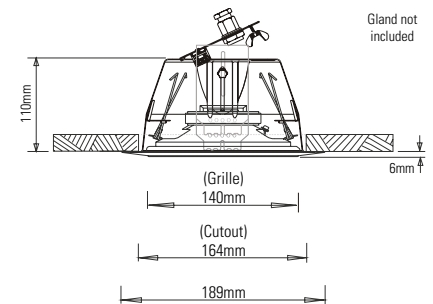
- Steel Fire Dome
- 150°C Thermal Fuse
- Ceramic Terminal Block
- Fully compliant with EN54-24
- Cert No: 0359-CPD-0120 Type A



5 inch, flush mount ceiling speaker with innovative fitting system for fast and simple installation.

This patented fire dome has been designed for ease of installation offering 1st and 2nd fit. The unique removable top plate on the dome comes complete with ceramic termination that enables the installer to make all cable connections on a flat plate rather than inside the frugal space offered on a standard fire dome. Once the cabling has been completed the supply line can be checked for continuity/earth faults without damaging the loudspeaker. The ceiling loudspeaker can be connected in the knowledge that the cables are sound.

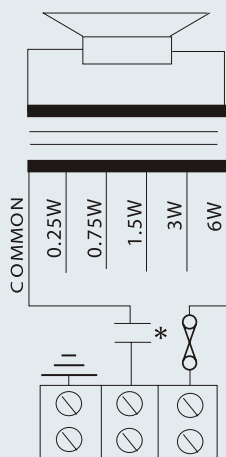
Dimensions (mm)



Technical Specification

Circuit Diagram

* unit fitted with Capacitor

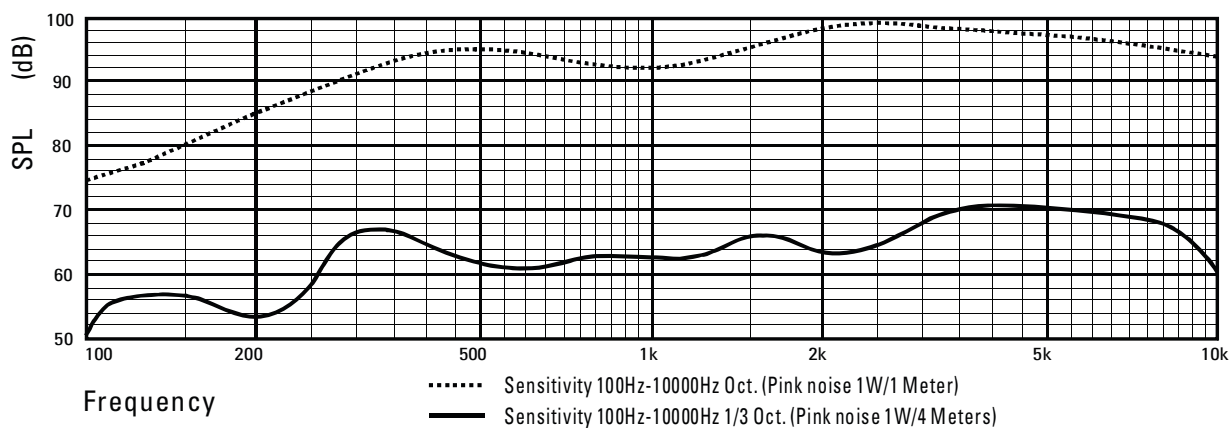


Technical Specification:

Power Handling	6 watts
Rated Input	100 volt
Transformer Tappings	6, 3, 1.5, 0.75, 0.25 watts
SPL (1w/1m)	95dB*
Max SPL (rated/1m)	102dB*
Frequency Response	150Hz – 18kHz
Dispersion at 1k/2kHz	180° / 120°
Dimensions (diameter x depth)	189mm x 116mm
Cutout Size (diameter)	164mm
Material	Steel
Weight (inc. packaging)	1.3 kg
Colour	White RAL9016
Stock Code	200-062-18-CEN

*Test Signal Bandwidth 100Hz - 10kHz

Frequency Response



Protec
Protec Fire Detection plc

Company Policy is one of continuous improvement, we reserve the right to change specification without prior notice

Protec Fire Detection Plc, Protec House, Churchill Way, Nelson, Lancashire, BB9 6RT

© 2013 - 2016 Protec Fire Detection plc

Tel: 01282 717171 Fax: 01282 717273 Web: www.protec.co.uk Email: sales@protec.co.uk

MED1813 Issue 3