

Roaming Handset and Jack Plate

- Flexible Roaming Phone
- High Quality Telephone Jack
- Full Duplex Conversation
- Flexible 30cm Roaming Cable
- Telecoil for Hearing Impaired Users
- Low Noise, High Quality Telephone Jack
- Fully Monitored
- Stainless Steel Jack



The EVX Emergency Voice Communications System (EVCS) is designed to fully comply with BS 5839-9:2021 for use as a Fire Telephone system, Disabled Refuge Call system or as a combined system when both Fire Telephones and Disabled Refuge Points are required.

The EVX-OSR Roaming Phone is used along with the EVX-OSJ Style Jack Plate in the EVCS system, the entire system is fully monitored to comply to BS 5839-9:2021 standards.

A EVX EVCS comprises of three functional blocks, the master handset (EVX-TMS Or EVX-228) the eight line Expanders (EVX-EX8) and outstations, (type A, type B or Jack points), with the quantities of these basic units being adjusted to suit the application.

Technical Specification

EVX-OSJ - Jack Plate

Physical

| | |
|----------|-----------------|
| Height | 86mm |
| Width | 86mm |
| Depth | 25mm |
| Weight | 140g |
| Material | Stainless Steel |
| Finish | Brushed |

Cables

| | |
|--------------------|---------------------------------|
| Grade | Enhanced |
| Cable (per Line) | 1 off 2 core (twisted for MICC) |
| Distance (per leg) | 500M soft Skin types, 300M MICC |
| Monitoring | DC open, short & earth |
| End Of Line | 10K ¼ W |

EVX-OSR - Roaming Handset

Physical

| | |
|--------------|-----------------------|
| Height | 210mm |
| Width | 66mm |
| Depth | 45mm |
| Cable Length | 300mm (extends to 1m) |

Controls

| | |
|------|-------------------------------|
| Call | Automatic "Off Hook" Dialling |
|------|-------------------------------|

Connection

| | |
|------|----------------------------|
| Jack | ¼" Mono Neutrik heavy Duty |
|------|----------------------------|

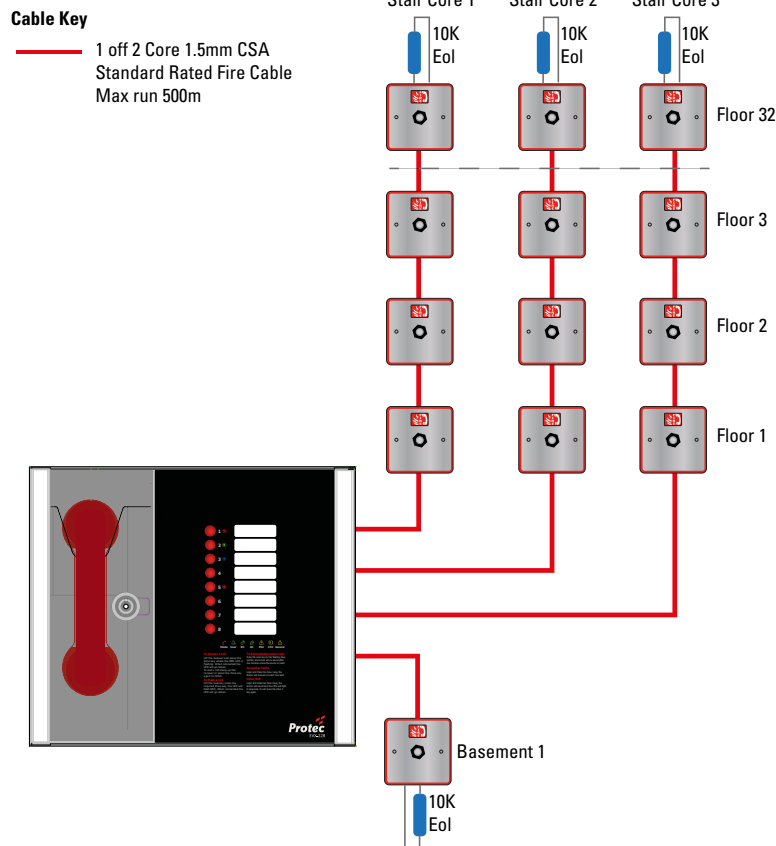
Standards Compliance

| | |
|----------------|---------------------------|
| EMC | EN55103-1, EN55103-2 |
| Product Family | BS 5839-9:2021, EN60118-4 |

Mounting The Outstation

The Style Jack Plate be mounted at a height of either 1200mm from the floor, or on a 1400mm centre line to comply with the requirements of Building Regulations Document M (Access for the Disabled). It can be installed on a standard MK style 25mm back box.

Typical Fire Fighter Telephone Schematic



Company Policy is one of continuous improvement, we reserve the right to change specification without prior notice

Protec House, Churchill Way, Nelson, Lancashire, BB9 6RT

© 2018-2023 Protec Fire and Security Group Ltd

Tel: +44(0)1282 717171 Web: www.protec.co.uk Email: sales@protec.co.uk