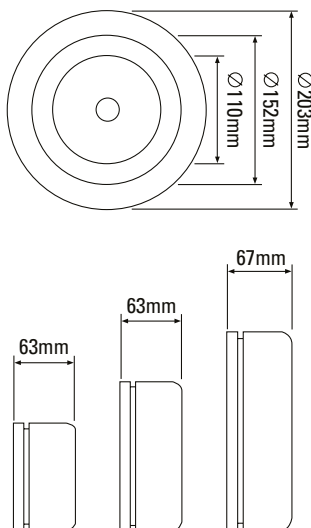


- 3 Gong Sizes
- High Sound Output
- Low Current Consumption
- Simple Installation
- Multifixing Baseplate



Bells still remain a popular choice for many applications such as schools where they can sometimes be used as a signal for non fire purposes such as class change. All CF bells incorporate highly efficient rotary centrifugal movements combining high sound output with low current consumption.

Dimensions (mm)



Technical Specification

Voltage	12Vdc	24Vdc
110mm (4")	8-16Vdc	18-30Vdc
150mm (6")	8-16Vdc	18-30Vdc
200mm (8")	8-16Vdc	18-30Vdc

Current	12Vdc	24Vdc
110mm (4")	100mA	20mA
150mm (6")	100mA	25mA
200mm (8")	110mA	30mA

Monitoring	Reverse Polarity
Temperature	-10°C to + 55°C
Construction	Gong = Steel Base = Polycarbonate
Protection	IP42
Weight	0.45kg
Colours	Gong = Red Base = Black

Connection Details

