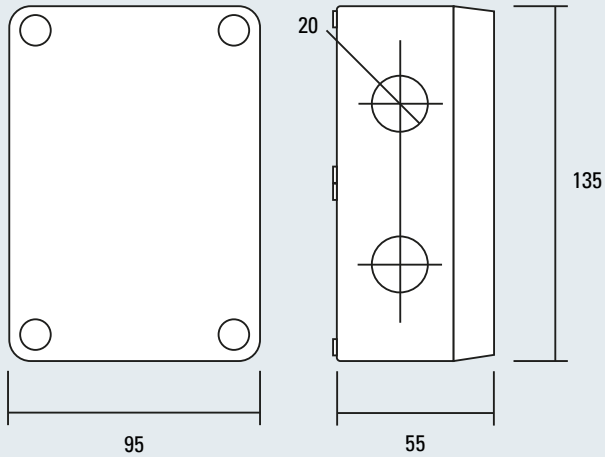


Technical Specification



2831

Dimensions (mm)

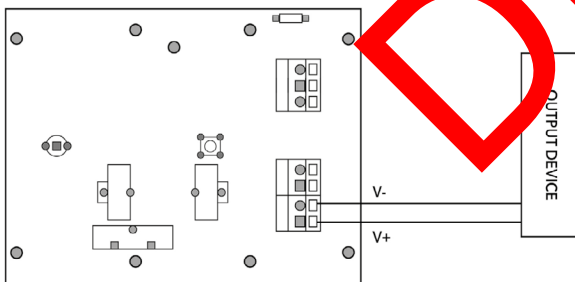


Technical Specification

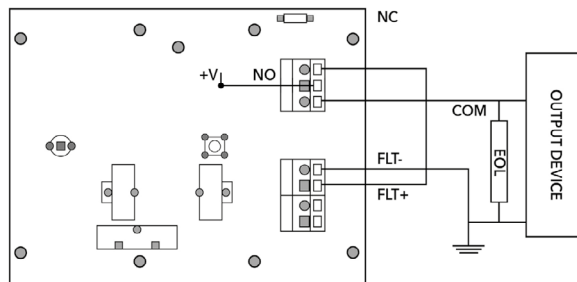
Operating frequency range	868 - 870 MHz
Max radiated power	5dBm (3mW)
Radio signal modulation type	FSK
Operating frequency channels	7
Communication range with the translator or the expander	≤ 150 m (in open space)
IP Rating	IP65
Max humidity	95% RH (non condensing)
Weight (without batteries)	210 g
Primary battery life (typical)	CR123A (3V & 1.2 Ah)/3 yrs
Secondary battery life (typical)	CR123A (3V & 1.2 Ah)/2 mnths
Relay specifications	2A (60W) @ 30V dc
Temperature range	-10°C to +55°C (no icing)
Maximum Current Available	50mA @ 12V dc, 40mA @ 24V dc
Fault Supervision Resistor	5.6K
RoHS Standard	EN54 Part 18 & 25

Connections and Configuration

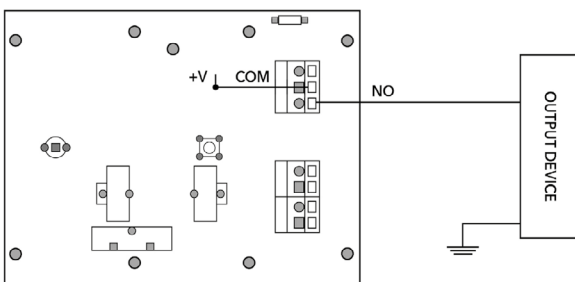
Wiring example for the 12VDC/24VDC output.



Wiring example with FLT feature.



Wiring example for the relay switch output.



Company Policy is one of continuous improvement, we reserve the right to change specification without prior notice

Protec House, Churchill Way, Nelson, Lancashire, BB9 6RT

© 2017 - 2021 Protec Fire and Security Group Ltd.

Tel: 01282 717171 Web: www.protec.co.uk Email: sales@protec.co.uk