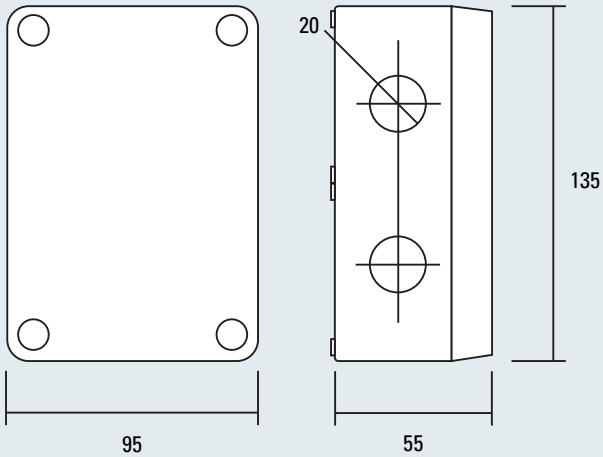


Technical Specification



Dimensions (mm)

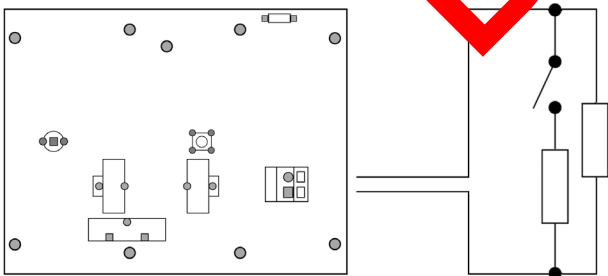


Technical Specification

Operating frequency range	868 - 870 MHz
Max radiated power	5dBm (3mW)
Radio signal modulation type	FSK
Operating frequency channels	7
Communication range with the translator or the expander	≤ 150 m (in open space)
Max humidity	95% RH (non condensing)
Cable entry knockout holes	6 x M16/20
Applicable wire gauge range	0.5 mm ² to 2.5 mm ²
Weight (without batteries)	190 g
Primary battery	CR123A (3 V & 1.2 Ah)
Secondary battery	CR2032 (3 V & 0.24 Ah)
Primary battery life (typical)	5 years
Secondary battery life (typical)	2 months
Temperature Range	-10°C to +55°C (no icing)
Relevant Standard	EN54 Part 18 & 25

Connections and Configuration

Following is illustrated the electrical schematic for the connection of the input module to the external device which transmits the input signal to the module.



End of line resistor (R_{eol}) = 5.6K Ω
 Alarm resistor (R_w) = 2.2K Ω



Company Policy is one of continuous improvement, we reserve the right to change specification without prior notice

Protec House, Churchill Way, Nelson, Lancashire, BB9 6RT

© 2017 - 2021 Protec Fire and Security Group Ltd.

Tel: 01282 717171 Web: www.protec.co.uk Email: sales@protec.co.uk