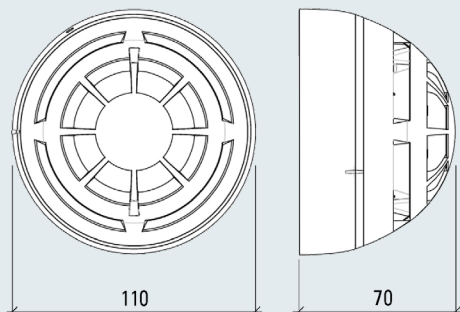


Technical Specification



Dimensions (mm)



Technical Specification

Operating frequency range	868 – 870 MHz
Max. radiated power	14dBm (25mW)
Operating channels	Multiple
Choice of sensitivity settings	3 smoke/2 heat
Dimensions (mm)	Ø110 x 70(H)
Batteries	2 x CR123A
Weight	190g
Temperature Range (no icing)	-10°C to +55°C **
Max tolerated humidity	95% RH (non condensing)
IP Rating	IP40
Magnetest	Yes
Relevant Standard	EN54 Part 5, 7, 25 & 29

*Minimum 3V with LED operation **Performance may vary at extremes of range

DRAFT