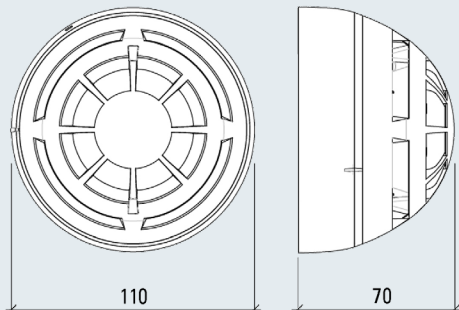


Technical Specification



Dimensions (mm)



Technical Specification

Operating frequency range	868 – 870 MHz
Max. radiated power	14dBm (25mW)
Operating frequency channels	7
Communications range	<200m (in open space)
Dimensions (mm)	110Ø x 70(H)
Temperature Range (no icing)	-10°C to +55°C **
Max tolerated humidity	95% RH (non condensing)
IP Rating	IP40
Relevant Standard	EN54 Part 7 & 25

*Minimum 18V with LED operation **Performance may vary at extremes of range

DRAFT



Company Policy is one of continuous improvement, we reserve the right to change specification without prior notice

Protec House, Churchill Way, Nelson, Lancashire, BB9 6RT

© 2017 - 2021 Protec Fire and Security Group Ltd.