

## 4 Watt Ceiling Speaker - EN54-24

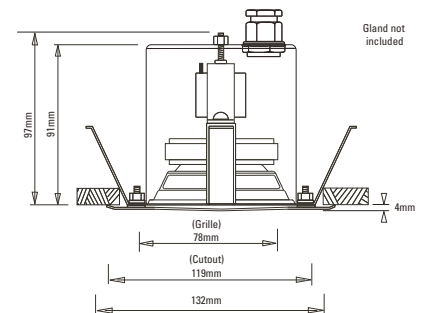
- Steel Fire Dome
- 150°C Thermal Fuse
- Ceramic Terminal Block
- Fully compliant with EN 54-24:2008
- Cert No: 0359-CPD-0120 Type A



4 inch, flush mount ceiling speaker with innovative fitting system for fast and simple installation.

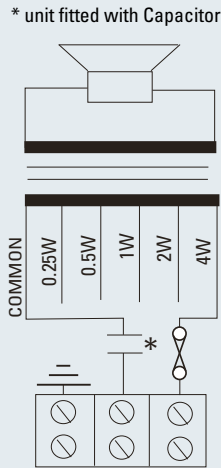
Cables are glanded in to the fire dome and terminated on the 3-way terminal block on the speaker. The dome is then secured to the speaker and the complete unit is then installed into the ceiling.

### Dimensions (mm)



# Technical Specification

## Circuit Diagram

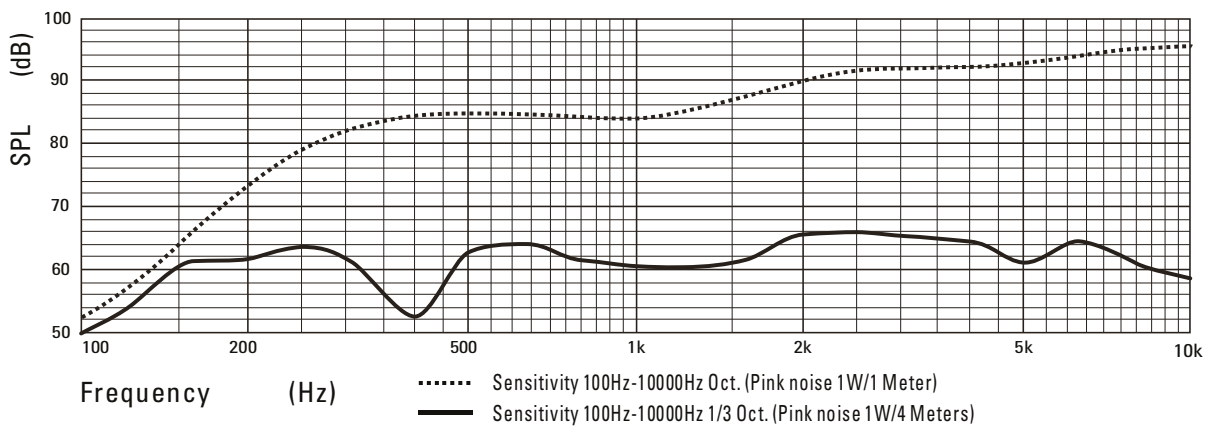


## Technical Specification:

Power Handling	4 Watts
Rated Input	100 Volt
Transformer Tappings	4, 2, 1, 0.5, 0.25 Watts
SPL (1w/1m)	83dB*
Max SPL (rated/1m)	89dB*
Frequency Response	200Hz – 18kHz
Dispersion at 1k/2kHz	180° / 180°
Dimensions (diameter x depth)	132mm x 101mm
Cutout Size (diameter)	119mm
Material	Steel
Weight (inc. packaging)	0.92 kg
Colour	White RAL 9016
Stock Code	SP1908

\*Test Signal Bandwidth 100Hz - 10kHz

## Frequency Response



Company Policy is one of continuous improvement, we reserve the right to change specification without prior notice

**Protec House, Churchill Way, Nelson, Lancashire, BB9 6RT**

© 2023 Protec Fire and Security Group Ltd.

**Tel: +44(0)1282 717171 Web: [www.protec.co.uk](http://www.protec.co.uk) Email: [sales@protec.co.uk](mailto:sales@protec.co.uk)**