



GAS 10

GAS MONITOR

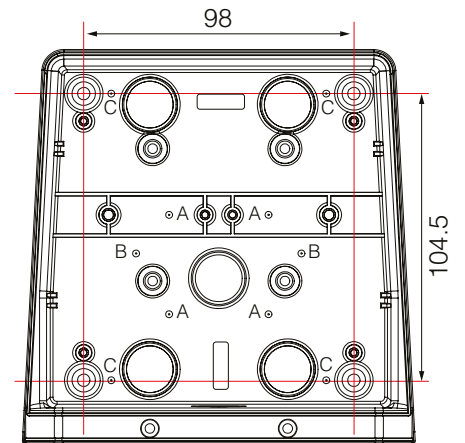
The GAS 10 control unit boasts a compact design, initially for monitoring gases within cabins, enclosures or cabinets. However, with the optional feature of a mains supply input the system can be expanded for use in conventional areas of gas detection such as commercial and other light industrial applications



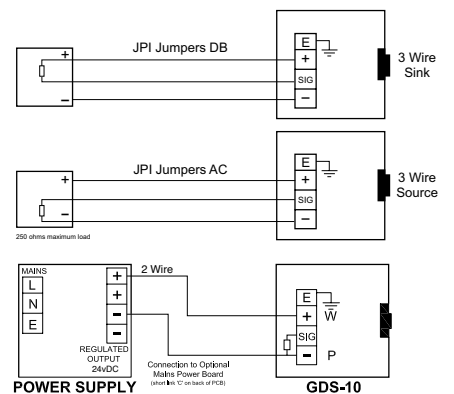
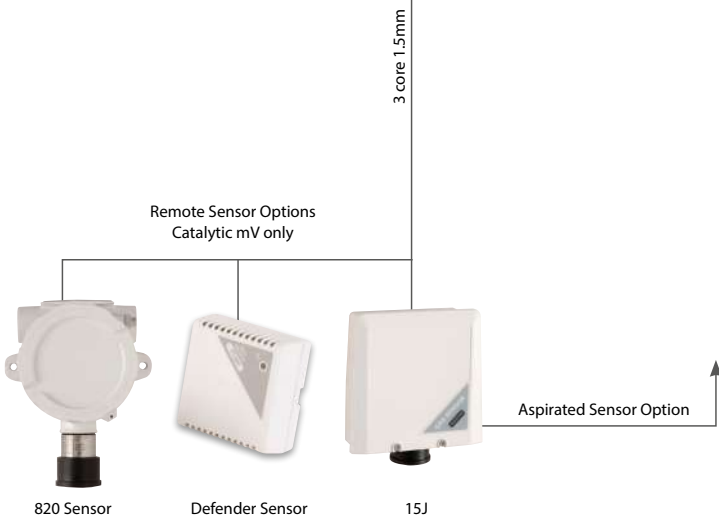
Controller configuration



Aspirated Internal Sensor Option



Cover Lid Removed / Mounting Points





Gases and Ranges

Gas	Relative Density Air =1	Units	Standard Range	Alarm Level 1	Alarm Level 2
Oxygen (O ₂)	1.105	% Vol	0-25%	19%	17%
Carbon Monoxide (CO)	0.96	ppm	0~200ppm	20ppm	100ppm
Sulphur Dioxide (SO ₂)	2.26	ppm	0~5ppm	0.5ppm	1ppm
Nitric Oxide (NO)	1.03	ppm	0~10ppm	2ppm	3ppm
Nitrogen Dioxide (NO ₂)	2.62	ppm	0~5ppm	0.5ppm	1ppm
Chlorine (Cl)	2.41	ppm	0~5ppm	0.3ppm	0.5ppm
Chlorine Dioxide (ClO ₂)	2.33	ppm	0~1ppm	0.1ppm	0.3ppm
Hydrogen (H ₂)	0.06	ppm	0~2000ppm	250ppm	500ppm
Hydrogen Cyanide (HCN)	0.93	ppm	0~10ppm	0.9ppm	4.5ppm
Hydrogen Sulphide (H ₂ S)	1.18	ppm	0~50ppm	5ppm	10ppm
Hydrogen Chloride (HCl)	1.26	ppm	0~10ppm	1ppm	5ppm
Ammonia (NH ₃)	0.58	ppm	0~100ppm	25ppm	35ppm
Ozone (O ₃)	1.66	ppm	0~1ppm	0.1ppm	0.2ppm
Hydrogen Fluoride (HF)	0.7	ppm	0~10ppm	1.8ppm	3ppm
Methane (CH ₄)	0.55	% LEL	0~100%	20%	40%
Propane (C ₃ H ₈)	1.55	% LEL	0~100%	20%	40%
Butane (C ₄ H ₁₀)	2.11	% LEL	0~100%	20%	40%
Pentane (C ₅ H ₁₂)	2.48	% LEL	0~100%	20%	40%
LPG	1.55	% LEL	0~100%	20%	40%
Hydrogen (H ₂)	0.06	% LEL	0~100%	20%	40%
Carbon Dioxide (CO ₂)	1.52	% Vol	0-2%	0.50%	1.50%
Methane (CH ₄)	0.55	% LEL	0~100%	20%	40%
Propane (C ₃ H ₈)	1.55	% LEL	0~100%	20%	40%
Butane (C ₄ H ₁₀)	2.11	% LEL	0~100%	20%	40%
Pentane (C ₅ H ₁₂)	2.48	% LEL	0~100%	20%	40%
LPG	1.55	% LEL	0~100%	20%	40%
Ethanol (C ₂ H ₆ O)	1.51	% LEL	0~100%	20%	40%
Iso-butylene (C ₄ H ₈)	1.94	ppm	200ppm	20ppm	40ppm

Over 700 gas types are available – Contact our sales department with your requests

Specification

GAS10	
Channels	Single Channel
Measurements	Combustible gas – LEL, % Vol. Toxic Gas – ppm, % Vol. Oxygen - % Vol. – Depletion / Enrichment Refrigerant – ppm
Sensor Types	Remote - Bridge type 3 wire mv (Catalytic) Internal - Infrared / Catalytic / PID / Semiconductor / Electrochemical
Single Stage Alarm	5~100% FSD
Channel Outputs	Analogue output 4-20mA – option 1~5 volts. 250 ohms max load
Relays	S.P.C.O. per relay – auto reset RL1 – 3A/230v AC control relay RL2 – 1A/24v DC signal relay *Single Alarm*
Sensor Cable	3 Core 1.5mm ² screened 1.5km
Power	12 to 30v DC – 24v nominal – 160mA 230-115v AC optional
Panel Indication	Alarm - Red LED
Audible Alarm	Auto reset 75dBs @ 1m
Operating Temperature	-10 to + 50° C
Storage Temperature	+5° C to + 55° C
Humidity	0-95 non condensing
Ingress Protection	IP64 Weatherproof
Dimensions	H-147 W-145 D-65mm (24vDC Version) H-147 W-145 D-100mm (AC Version)
Weight	0.32KG (24vDC Version) 0.76KG (AC Version)
Enclosure Material	ABS Flame Retardant FR40 – Lid Screws M4SS Finish – Signal White RAL 9003
Standards	EMC BS EN 50270 Low Voltage BS EN 50270