

- Quick and easy to Install
- Sleek, low profile, recessed design
- Device can be fully commissioned prior to ceiling fitting
- Robust terminal wiring
- Automatic locking option
- Compatible with Protec 3000PLUS and 6000PLUS series detectors
- Approved to EN54 when used with Protec detectors



Protec's 6000PLUS Fast Fixed Recessed Base is designed to recess the detector into a false ceiling to give a lower profile view of the detector. The ceiling can be put in after the head is powered if necessary saving a return visit to commission the system. Once the ceiling is fitted the base is pulled through the tile and using the 'Fast Fix' feature, the base can be securely fitted without removing the detector.

In order to prevent unauthorised removal of a detector from its base, an automatic locking option is incorporated into the base moulding. Provision is also made for the connection of a remote LED when required. Loop or zone continuity is maintained by a switch (on the 6000PLUS/FFBASE) or a low forward Voltage diode (on the 3000PLUS/FFBASE).

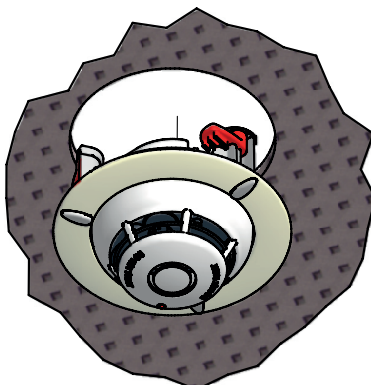
#### Order Codes

3000PLUS/FFBASE  
6000PLUS/FFBASE

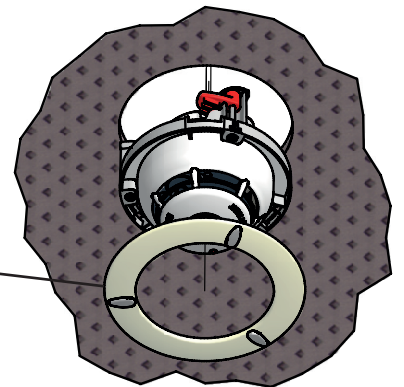
Patent Applied For

### Step 1

Fit and commission sensor, or leave sensor commissioning until after false ceiling is fitted. Pull sensor/base combination, or base only through ceiling tile hole. (121mm dia)



Trim



### Step 2

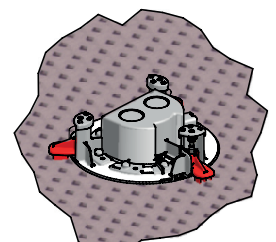
Push trim onto base. Rotate clockwise to lock trim in position. Push base back through false ceiling so trim is flat to ceiling. Rotate screw covers to reveal screws.

### Step 3

Tighten screws until resistance is felt, and clamps have engaged ceiling tile. Rotate screw covers back to original position.



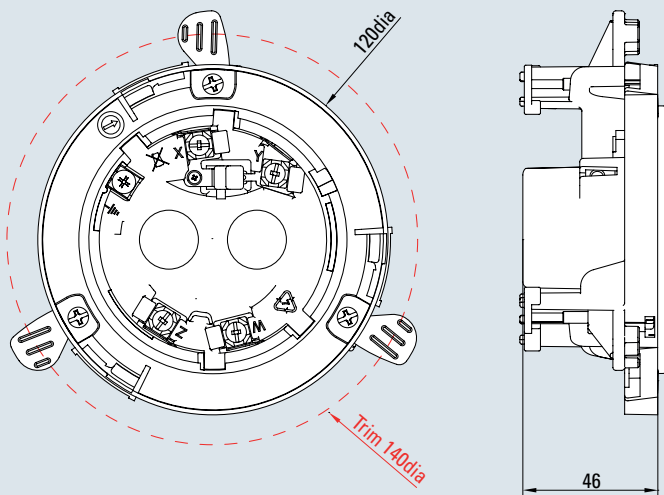
Below ceiling tile



Above ceiling tile

# Technical Specification

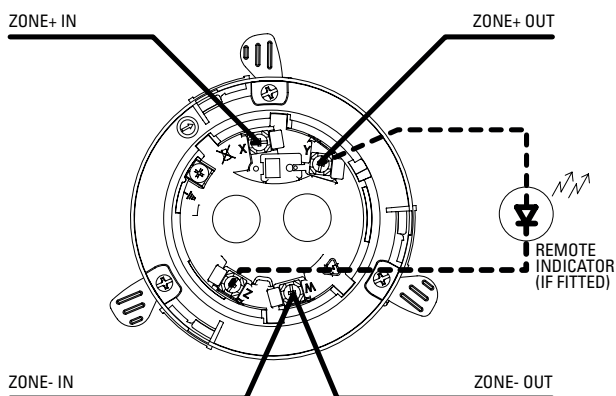
## Dimensions (mm)



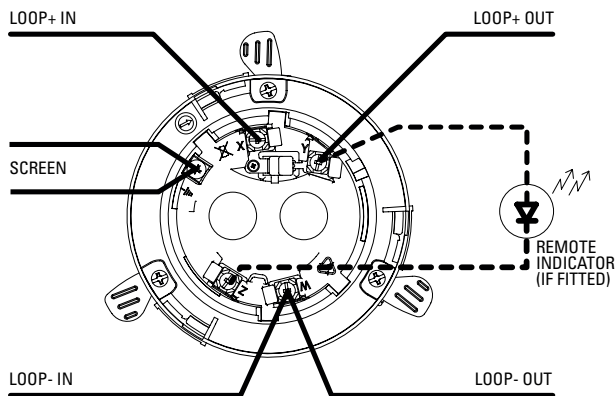
## Technical Specification:

Environment	-10 to 50°C, 95% R.H (non-condensing or icing)
Ingress Protection	IP32
Weight	56g
Voltage Range	16-30V
Mounting	Recessed
Material	White Polycarbonate V0 rated
Application	Indoor Installation
EMC	CE marked (EEC89/336)
Cutout	121mm dia

## 3000PLUS Wiring Diagram



## 6000PLUS Wiring Diagram



Company Policy is one of continuous improvement, we reserve the right to change specification without prior notice

Bosch Security Systems Pty Ltd, Suite 1, Level 2, 21 Solent Circuit, Baulkham Hills, NSW 2153, Australia © 2024 Bosch Security Systems Pty Ltd

Tel: +61 02 9842 4700 Web: [www.protec.co.uk](http://www.protec.co.uk) Email: [protecanz.info@au.bosch.com](mailto:protecanz.info@au.bosch.com)