

## Aspirating System Heavy Duty Filter/Condensation Trap

- Heavy Duty Sampling Pipe Combined Filter & Condensation Trap
- 25mm Sampling Pipe Inlet/Outlet
- Airflow Direction Indicator
- Reduces Service Intervals
- Reduces Unwanted Alarms
- Replaceable Filter Cartridge Available



Aspirating Detection Systems can be equipped with a dust and humidity filter when installed in dusty and/or humid applications.

Each aspirating system pipe exposed to abnormal amounts of dust and condensation should incorporate the combined sampling pipe filter/condensation trap.

The filter unit is directional dependent. The direction of airflow should be through the filter towards the aspirating detector as is indicated by the arrows.

In installations containing automated sampling pipe purging units, the filter/condensation trap should be installed between the purging unit and the aspirating detector.

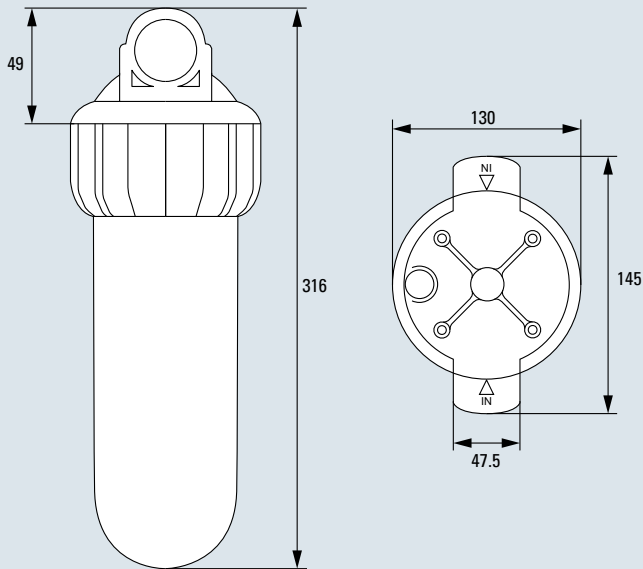
Replacement filter cartridges can be provided as required.

The filter cartridge shall be replaced at intervals most suited to the specific application and to ensure the filters remain fully operational, thereby allowing clean air to the detectors. The maximum filter cartridge replacement interval shall be 1 year.

As the main vessel is transparent it should be possible to visually monitor the status of the filter. Should the filter require replacement the outer red securing ring shall be unscrewed so the transparent vessel can be removed. After replacing the filter cartridge the transparent vessel shall be located in position and made airtight by the red securing ring.

# Technical Specification

## Dimensions



## Order Codes

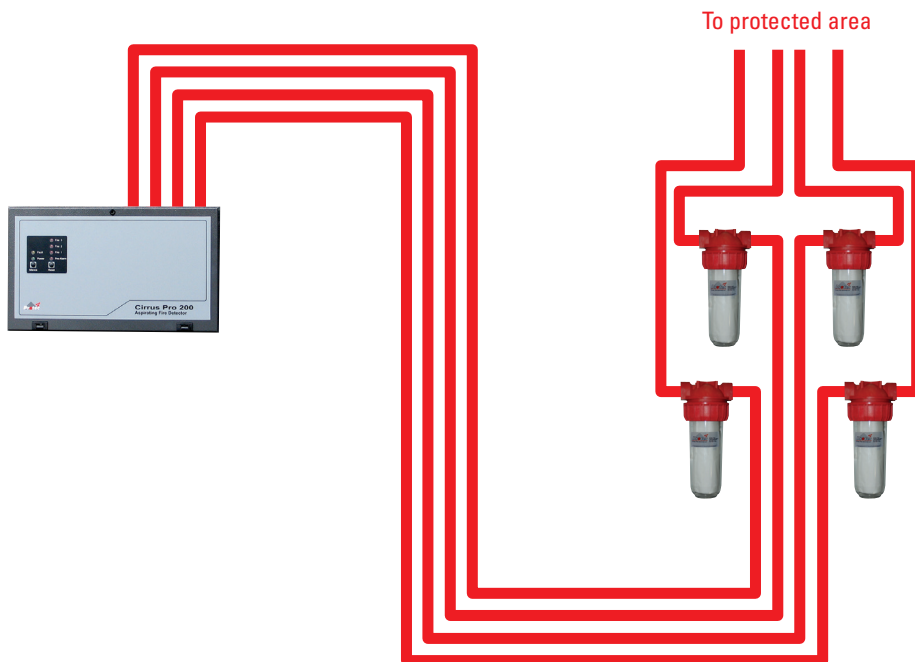
**45-023-04** - Heavy duty dust and humidity filter with 25mm pipe connections

**45-023-07** - Self-draining heavy duty dust and humidity filter with 25mm connections (picture not shown)

**45-023-04-C** - Replacement cartridge for heavy duty dust and humidity filter

## Schematic

\* Indicative drawing only of aspirating detector, sampling pipe and heavy duty condensation trap configuration.



Company Policy is one of continuous improvement, we reserve the right to change specification without prior notice

Bosch Security Systems Pty Ltd, Suite 1, Level 2, 21 Solent Circuit, Baulkham Hills, NSW 2153, Australia © 2024 Bosch Security Systems Pty Ltd

Tel: +61 02 9842 4700 Web: [www.protec.co.uk](http://www.protec.co.uk) Email: [protecanz.info@au.bosch.com](mailto:protecanz.info@au.bosch.com)