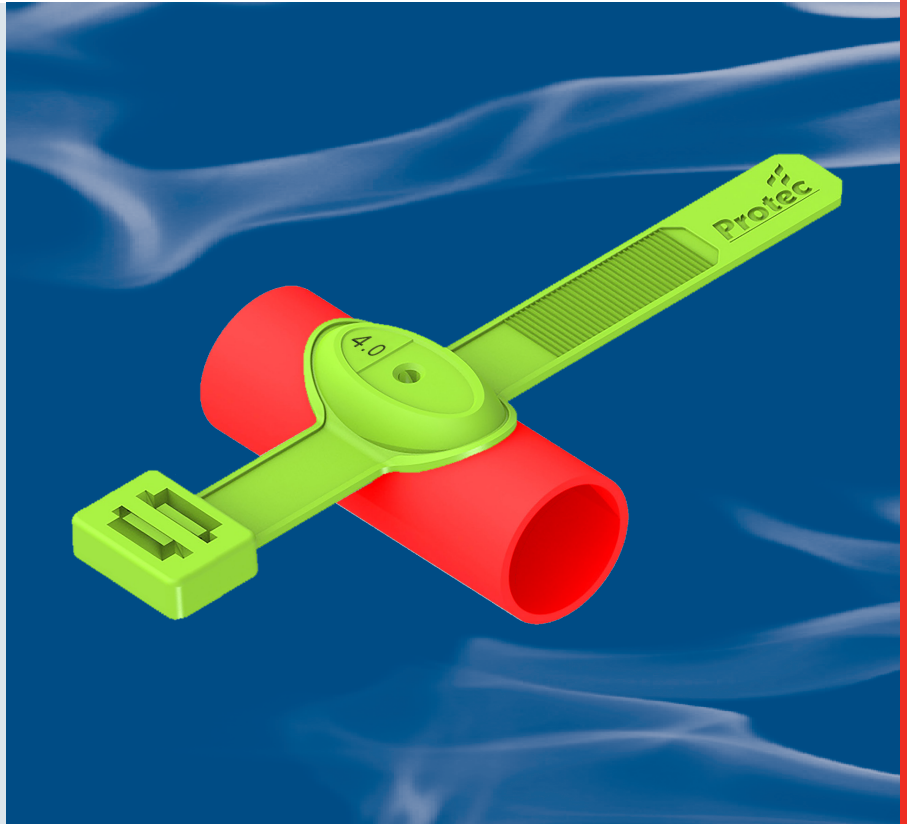


Aspirating System Hole Identification Tags

- Colour coded tags to identify each different sampling hole diameter and location
- Viewable distance range approx 20m
- Cable-tie securing mechanism around sampling pipe with secondary 'wrap around' securing mechanism
- Chamfered hole entry to reduce dust loading
- Common 8mm diameter drill hole requirement for all sampling hole locations
- Accurate identification of sampling hole location and hole size for commissioning & servicing engineers
- Integrated to Protec ProFlow 3D sampling pipe calculation program



Protec Fire Detection plc is pleased to introduce another first in the aspirating detection systems industry. HIT's - Hole Identification Tag's. For many years the practice of drilling different size sampling holes in aspirating system sampling pipes has been the accepted norm. Whilst this method technically gives the correct size orifice for the hole location on the sampling pipe, it is also accepted that this method comes with a degree of tolerance.

In reality the installer usually uses a hand-held drill on a round sampling pipe and therefore it is unlikely that an exact diameter and perfectly straight hole is formed. In addition to this; on many occasions when the drill is withdrawn from the pipe small pieces of the pipe material remain around the hole. This has an impact on the airflow through the pipe by reducing the effectiveness of the hole.

Aspirating detection systems are now installed in an ever increasing variety of different applications, many of which replace standard point type smoke detectors or optical beam detectors. Often these applications include high ceiling spaces where it is almost impossible to identify where the sampling holes are located and, more importantly, if the sampling hole is the correct size.

Protec HIT's - Hole Identification Tag's solve all these problems and many more.

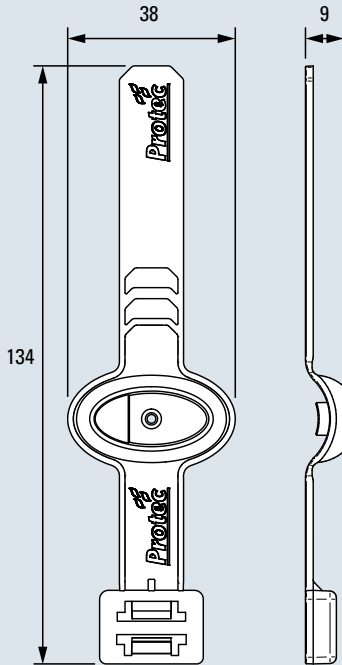
Each HIT is colour coded to identify it's specific sampling hole diameter. This colour coding allows accurate identification of the various sampling hole locations and true hole size for the benefit of commissioning & servicing engineers, clients and even project auditors.

The HIT's employ a 'cable-tie' style securing mechanism around the sampling pipe to allow the HIT to be fixed securely. In addition a secondary 'wrap around' securing mechanism ensures the HIT remains in it's chosen location.

Continued.....

Technical Specification

Dimensions (mm)



Tag	Product Code	Description
	37-534-68	2.0mm hole - Purple HIT
	37-535-69	2.5mm hole - Grey HIT
	37-536-70	3.0mm hole - Yellow HIT
	37-537-71	3.5mm hole - Blue HIT
	37-538-72	4.0mm hole - Green HIT
	37-539-73	4.5mm hole - Black HIT
	37-540-74	5.0mm hole - White HIT
	37-541-75	6.0mm hole - Brown HIT

The build up of dust around a standard drilled sampling hole is common place due to the friction created by the airflow through the sampling hole. Each HIT incorporates a chamfered hole entry which is proven to reduce this dust loading effect.

To assist the installers a common 8mm diameter drill is all that is required for every sampling hole location. This simplifies the installation works as only a single size drill is required.

Protoc HIT's have been integrated into the ProFlow 3D sampling pipe calculation program.

Technical Specification

Temperature Range	-20°C to +70°C
Material	Elastron TPE V601.A95.N
Flame Retardency	UL94 V0 Rated
Surface Finish	MT - 11007



Company Policy is one of continuous improvement, we reserve the right to change specification without prior notice

Bosch Security Systems Pty Ltd, Suite 1, Level 2, 21 Solent Circuit, Baulkham Hills, NSW 2153, Australia © 2024 Bosch Security Systems Pty Ltd

Tel: +61 02 9842 4700 Web: www.protoc.co.uk Email: protocanz.info@au.bosch.com